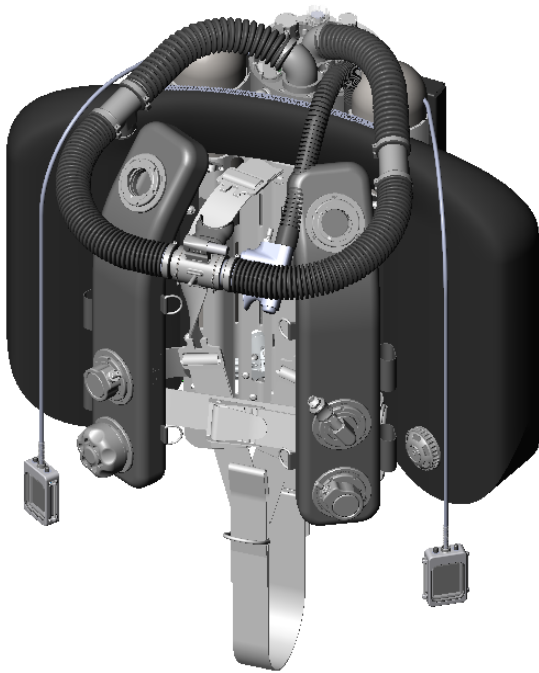


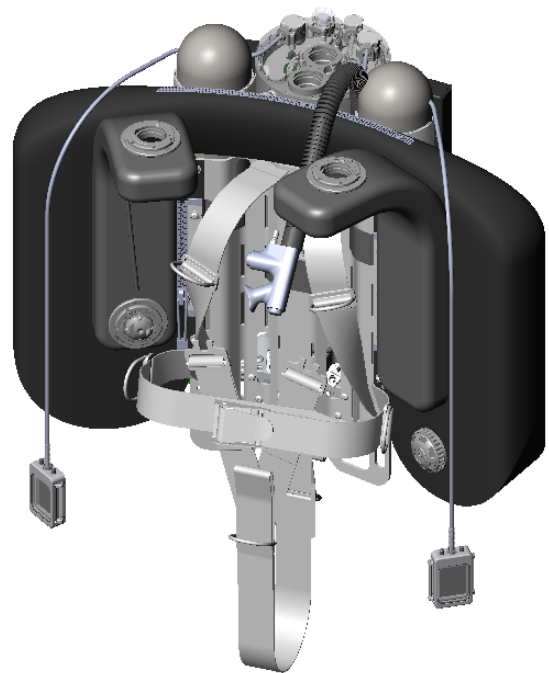


Spare parts CCR Liberty



CCR Liberty
(CE compliant)

Spare parts



CCR Liberty with
back mounted counterlungs
and other non-CE variants

Spare parts

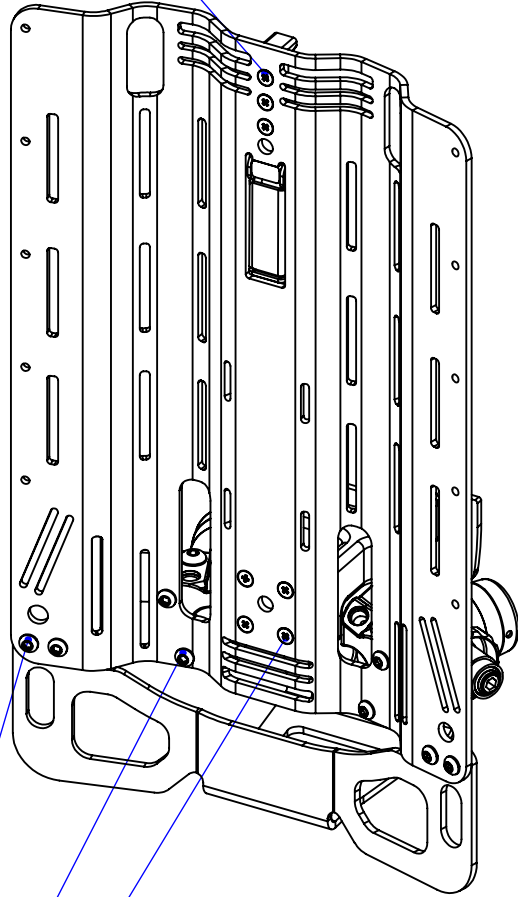
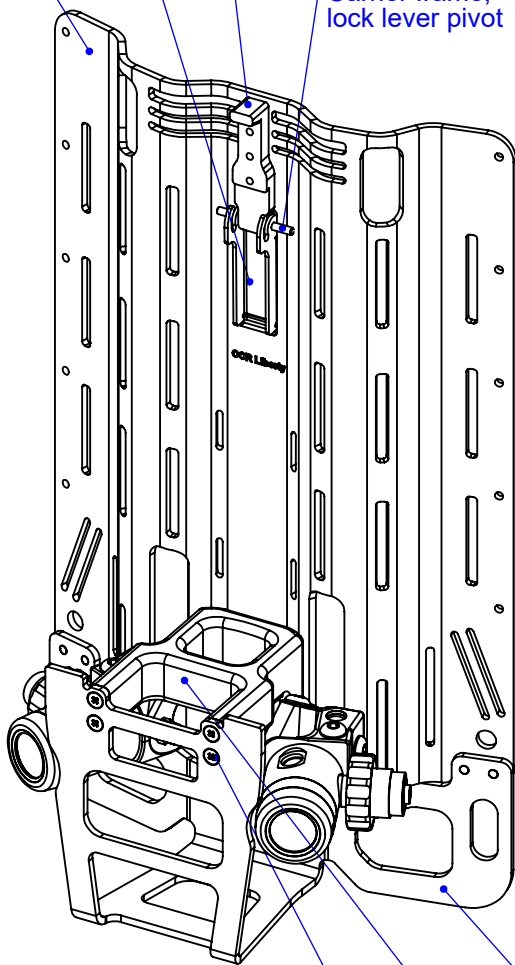
#2231 Screw M5 x 12, flat head Phillips, stainless

#1133 Backplate - Stainless
Part containing serial number of entire apparatus
Cannot be ordered in the eshop

#1140 Carrier frame, lock lever

#1139 Carrier frame, lock barb

#1141
Carrier frame,
lock lever pivot



#2231 Screw M5 x 12, flat head Phillips, stainless

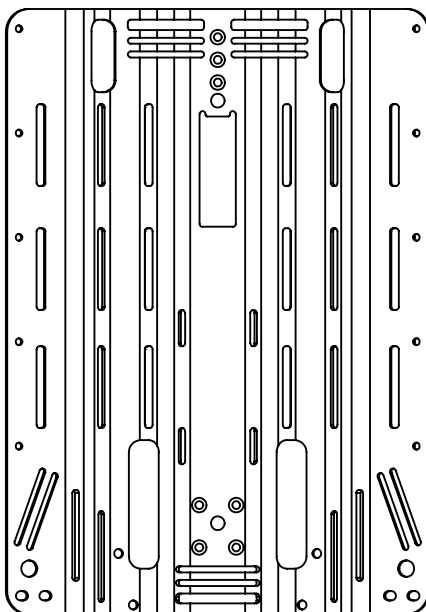
#2249 Button head screw M6 x 16, T30, stainless

#2248 Button head screw M6 x 8, T30, stainless

#1323 Lumbar support - Stainless

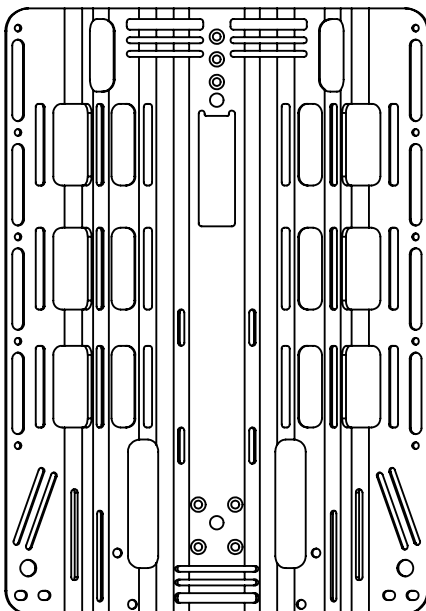
#1324 Carrier frame, bracket

#2220 Screw M5 x 16, flat head Phillips, stainless



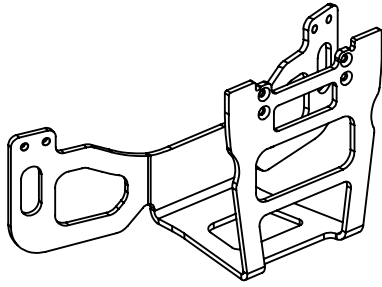
#1133 Backplate - Stainless
(weight 3387.21 g)

This part contains serial number
of entire apparatus. Cannot be
ordered in the eshop, order by
e-mail, please.

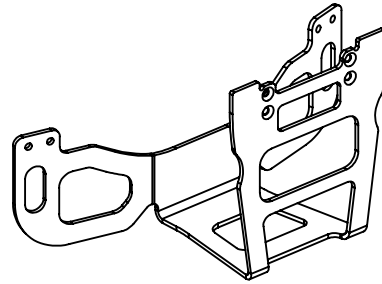


#1732 Backplate - Titanium
(weight 1200.18 g)

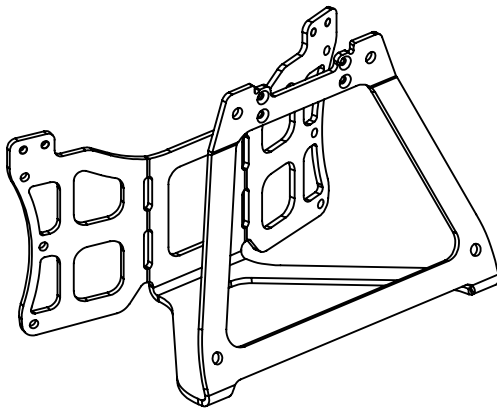
This part contains serial number
of entire apparatus. Cannot be
ordered in the eshop, order by
e-mail, please.



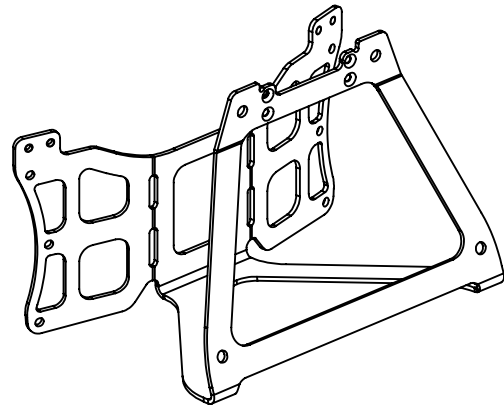
#1323 Lumbar support - Stainless
(weight 903.71 g)



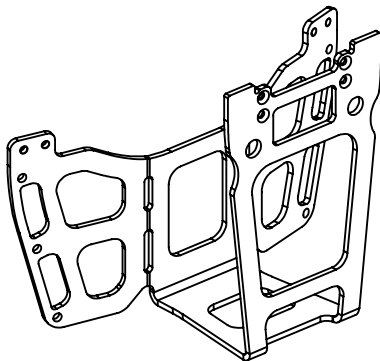
#1733 Lumbar support - Titanium
(weight 382.16 g)



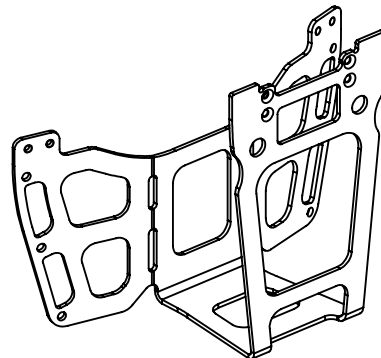
#1730 Extended base, wide - Stainless
(weight 1382.76 g)



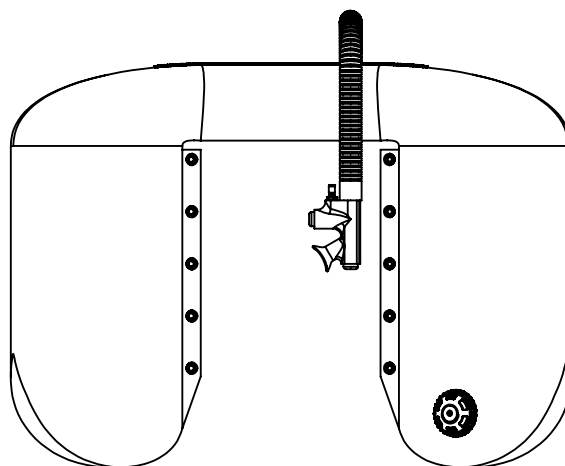
#1736 Extended base, wide - Titanium
(weight 596.05 g)



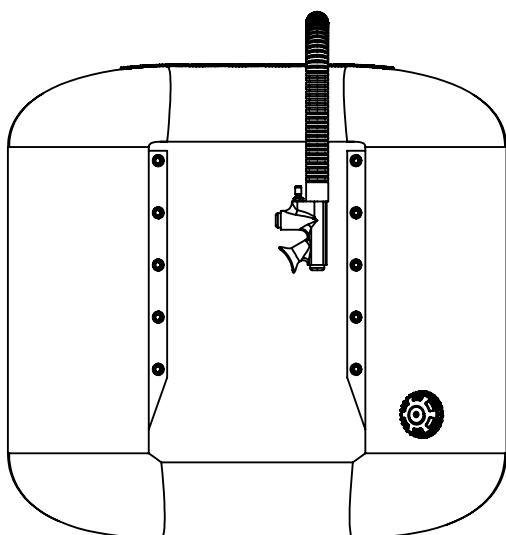
#1523 Extended base, narrow - Stainless
(weight 1172.48 g)



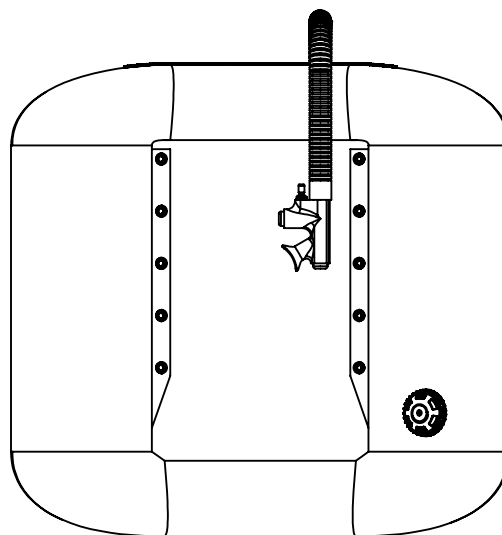
#1735 Extended base, narrow - Titanium
(weight 505.38 g)



#3130 Buoyancy compensator (wing), horseshoe shape



#3199
Buoyancy compensator (wing)
donut shape - Black
(not used in CCR Liberty CE)



#3370
Buoyancy compensator (wing)
donut shape - Red
(not used in CCR Liberty CE)

FMCL



#2248 Button head screw M6 x 8, T30, stainless
(for attaching BCD to backplate, 10 pcs used)

BMCL



#2248 Button head screw M6 x 8, T30, stainless
(for attaching BCD to backplate, 2 pcs used)
#2294 Button head screw M6 x 12, T30, stainless
(for attaching BCD to backplate, 8 pcs used)



#1260 Fixing strap for 2 hoses



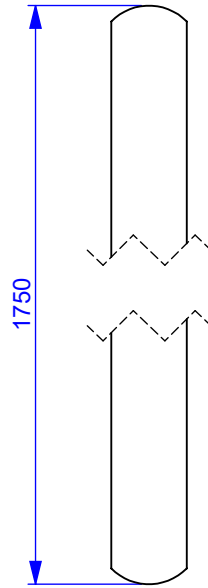
#1261 Fixing strap for 3 hoses



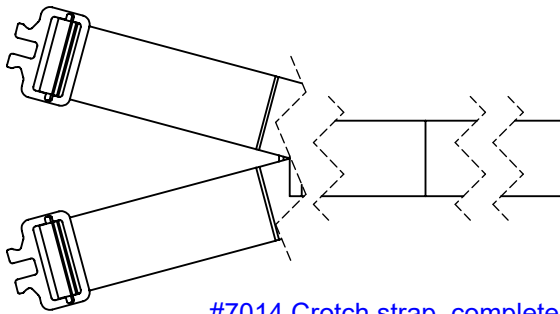
#1262 Fixing strap for 4 hoses



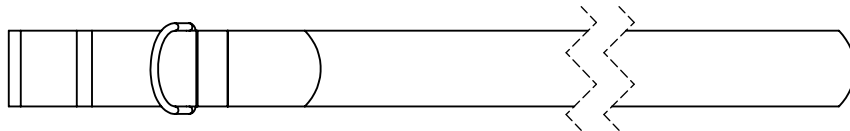
#1330 Fixing strap for lock lever



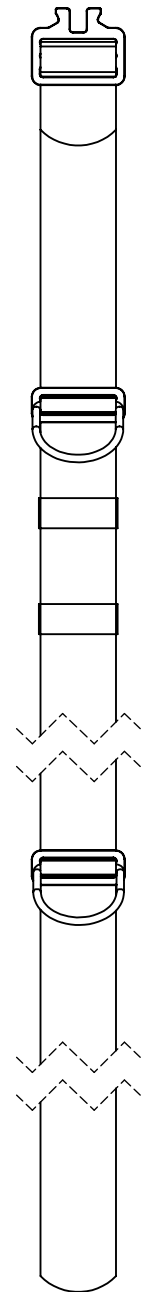
#1472 Harness, raw strap
(please specify, if you need a different length)



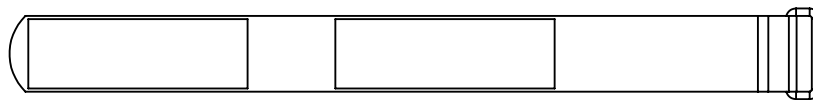
#7014 Crotch strap, complete FMCL



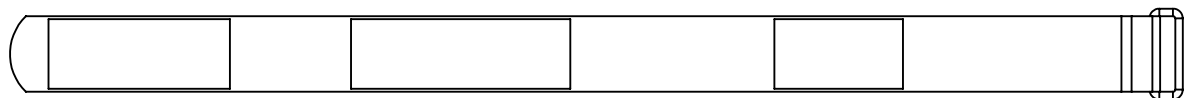
#1851 Crotch strap, raw BMCL



#7039 Harness, complete
(2 pcs used in CCR Liberty)



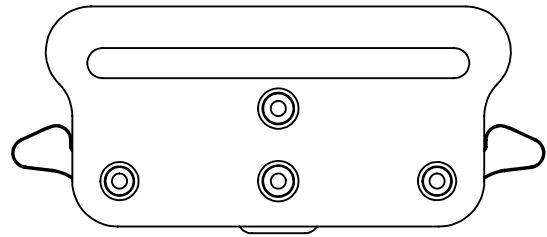
#3023 Tank strap
(2 pcs used in CCR Liberty)



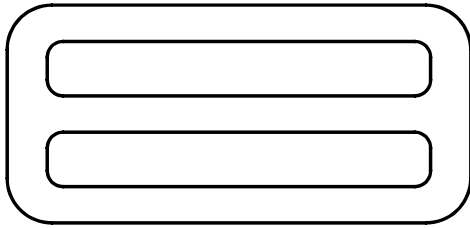
#3024 Central strap



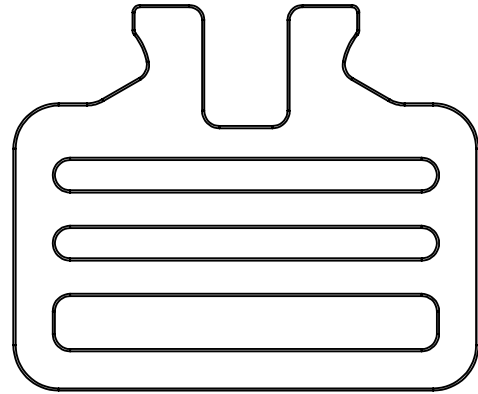
#1162 Ladder lock



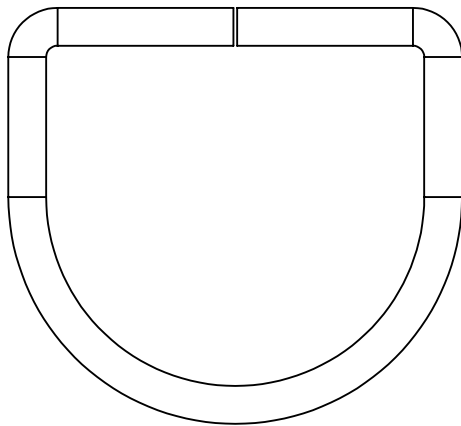
#8101 QRF Buckle



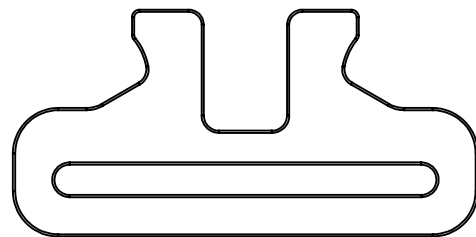
#1731 Ladder lock for double strap



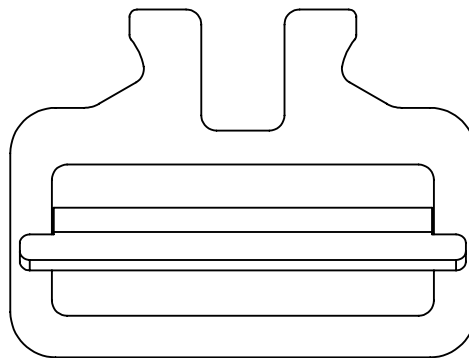
#1164 QRF buckle, ladder lock part



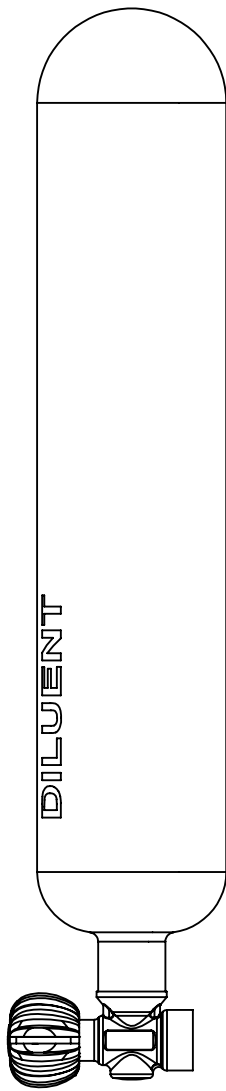
#1161 D-ring 50 mm



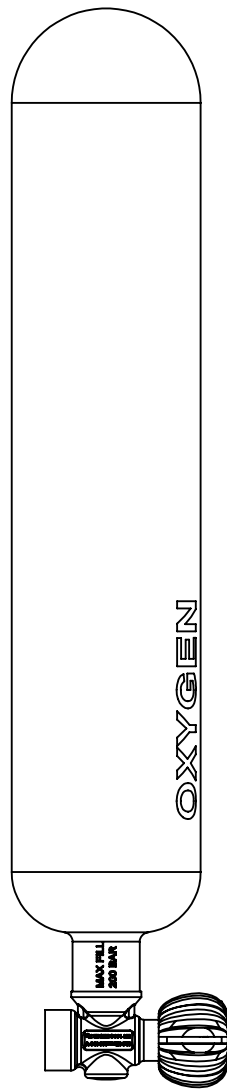
#1201 QRF buckle, sewing part



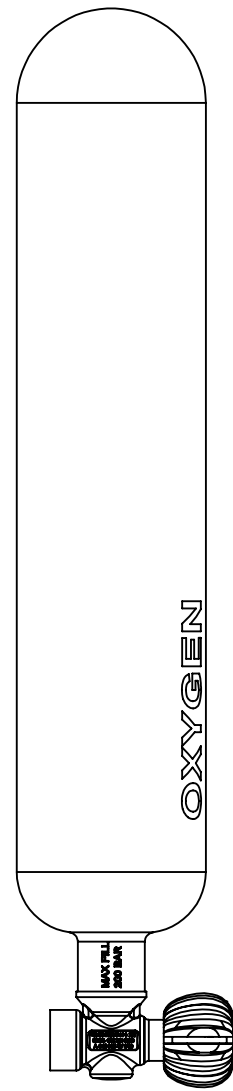
#7062 QRF buckle, adjustable part



#7041
Tank 3 L/300 bar, "Diluent",
with straight valve (DIN G5/8)

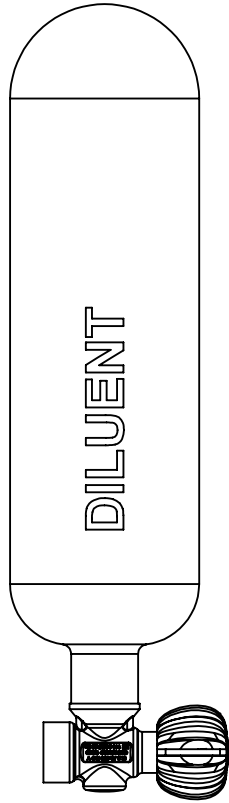


#7042
Tank 3 L/300 bar, "Oxygen",
with straight valve (M26x2)



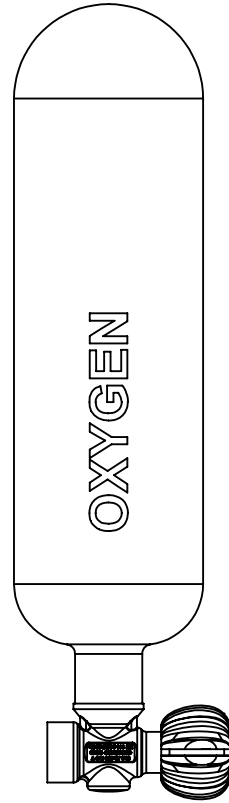
#7063
Tank 3 L/300 bar, "Oxygen",
with straight valve (DIN G5/8)

Not used in CCR Liberty CE



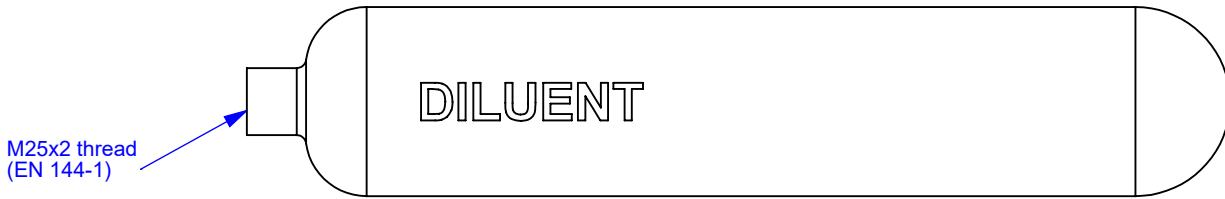
#7267
Tank 2 l/200 bar, "Diluent",
with straight valve (DIN
G5/8)

Not used in CCR Liberty CE

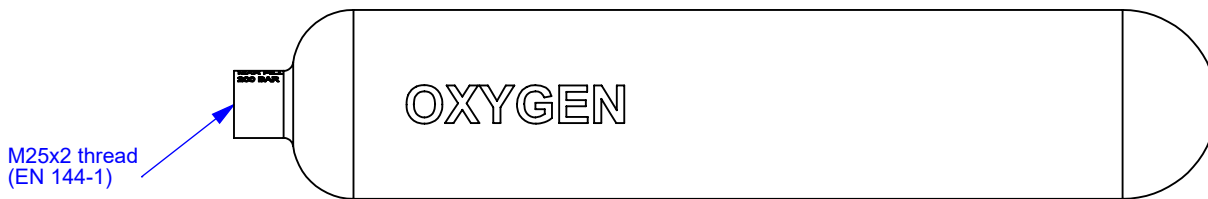


#7268
Tank 2 l/200 bar, "Oxygen",
with straight valve (DIN
G5/8)

Not used in CCR Liberty CE



#7155 Tank 3L 300 bar, steel, 100 mm diameter, neck thread M25x2, DILUENT



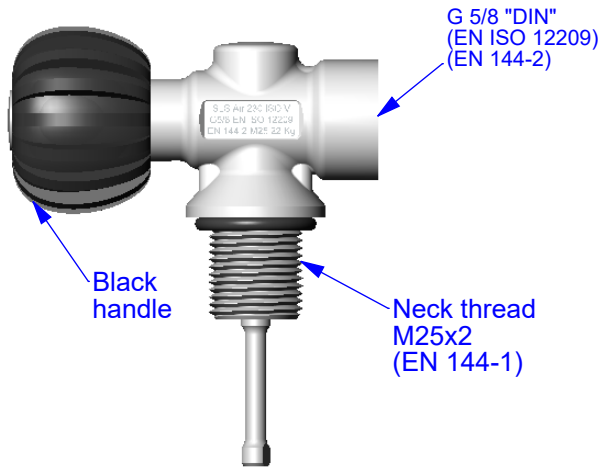
#7154 Tank 3L 300 bar, steel, 100 mm diameter, neck thread M25x2, OXYGEN



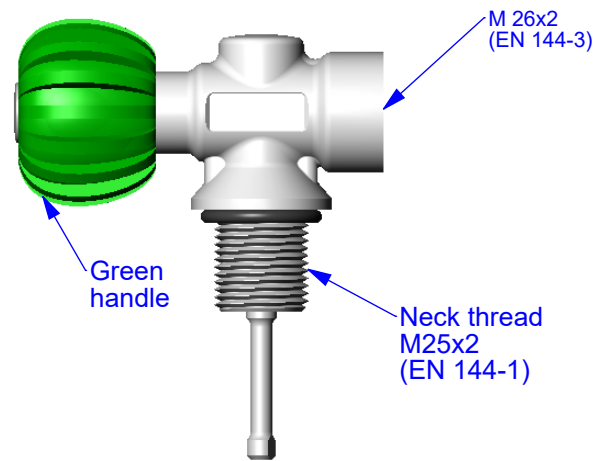
#7182 Tank 2L 300 bar, steel, neck thread M18x1,5, DILUENT



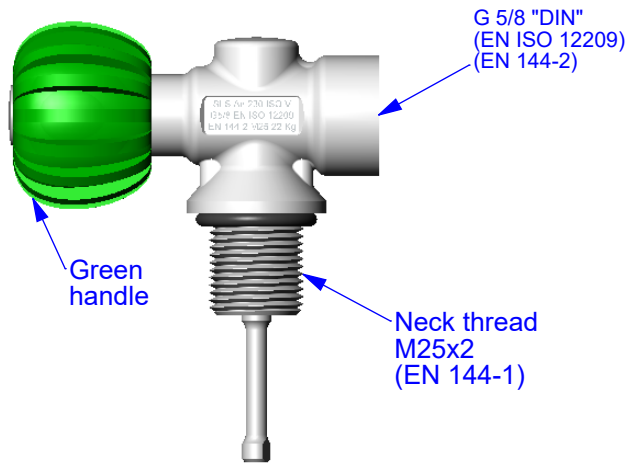
#7183 Tank 2L 300 bar, steel, neck thread M18x1,5, OXYGEN



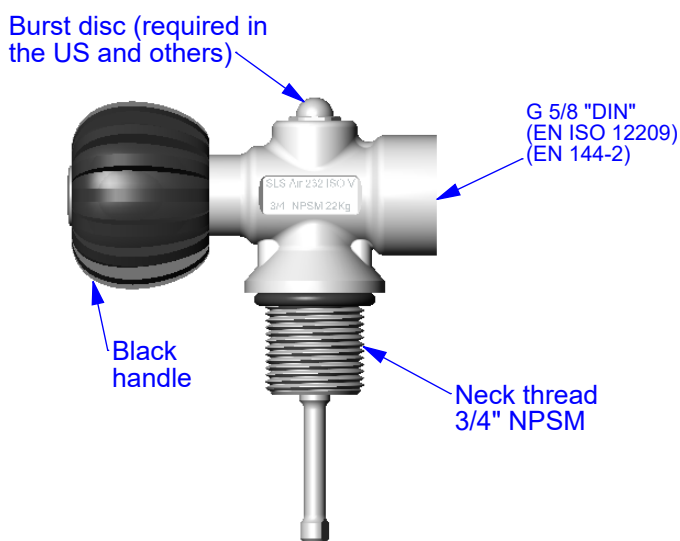
#3123 Cylinder valve SLS, 230 bar
(Used in Liberty CE with Diluent cylinder)



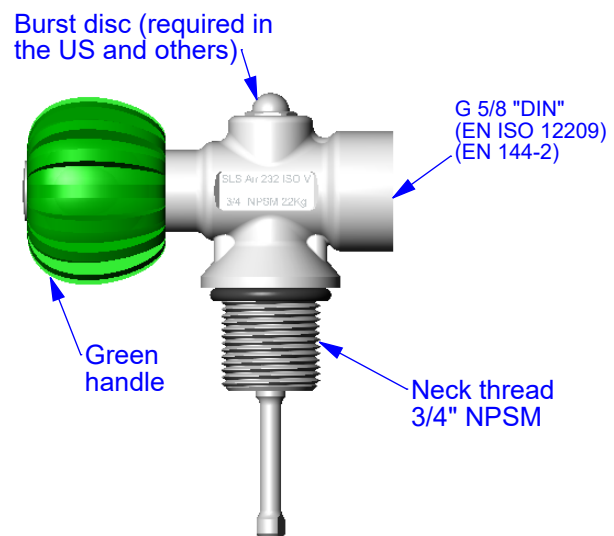
#3124 Cylinder valve SLS, 230 bar
(Used in Liberty CE with oxygen cylinder)



#3192 Cylinder valve SLS, 230 bar

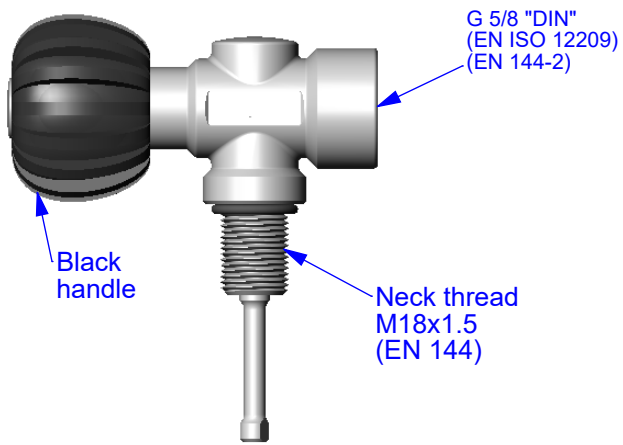


#3161 Cylinder valve SLS, 230 bar

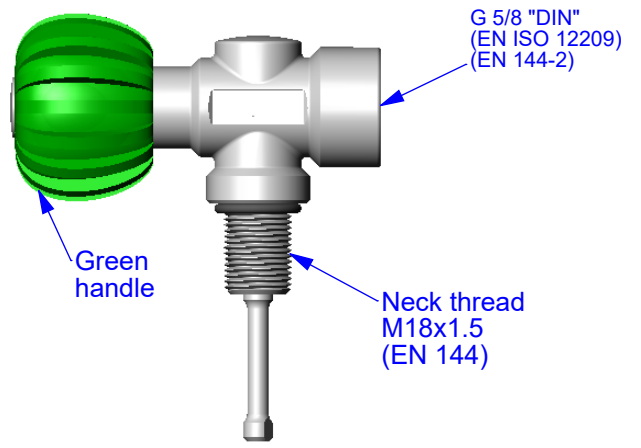


#3137 Cylinder valve SLS, 230 bar

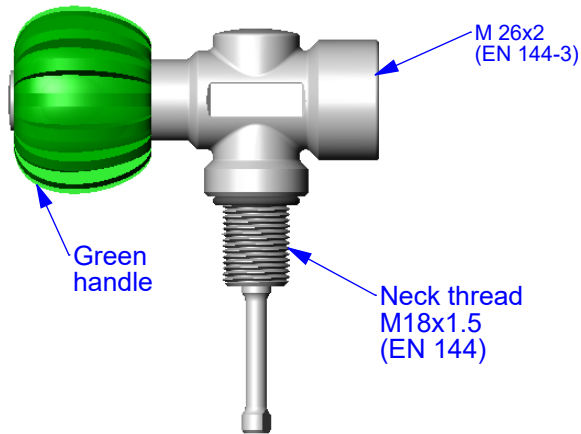
All valves are oxygen compatible



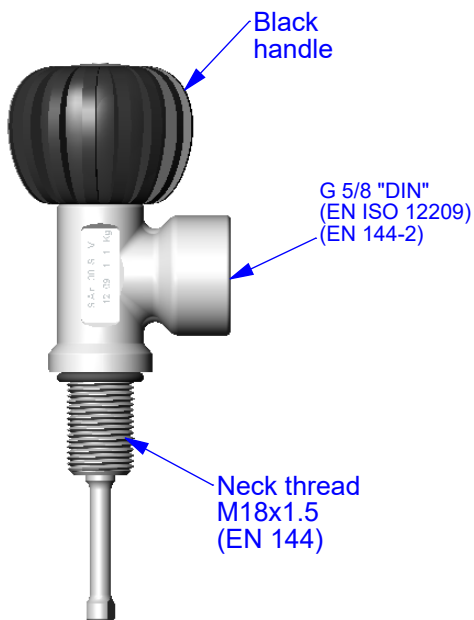
#3258 Cylinder valve SH, 230 bar
(Used in Liberty sidemount conversion kit)



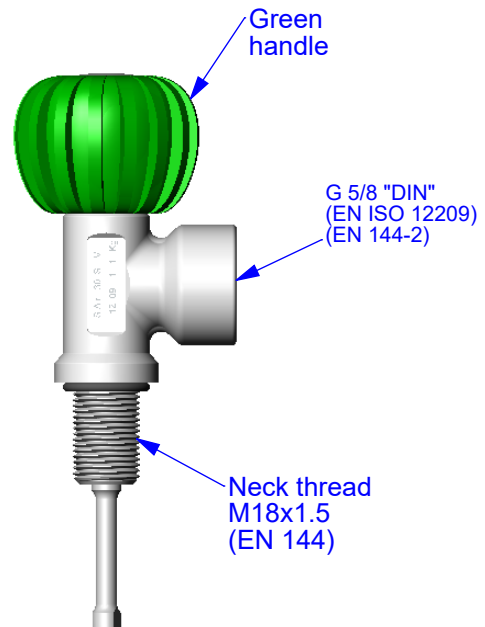
#3259 Cylinder valve SH, 230 bar
(Used in Liberty sidemount conversion kit)



#3906 Cylinder valve SH, 230 bar
(Used in Liberty sidemount conversion kit)



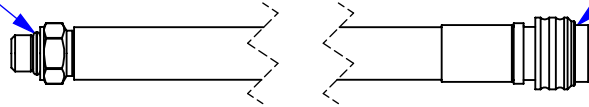
#3191 Cylinder valve S, 230 bar
(Alternative valve for sidemount)



#3190 Cylinder valve S, 230 bar
(Alternative valve for sidemount)

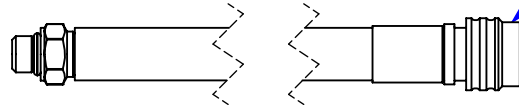
All valves are oxygen compatible

#2026
O-ring 7.65 x 1.78,
NBR, 70 Sh



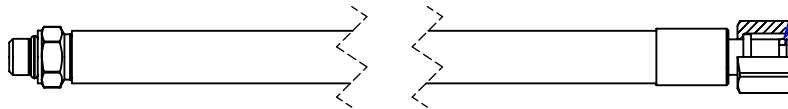
#1505 Inflator fitting ring
Modified connector for
oxygen manual addition valve

#3116 Hose for manual oxygen bypass 830 mm



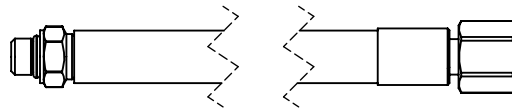
Standard connector
(can't be connected to oxygen
manual addition valve)

#3021 Hose for inflator 878 mm

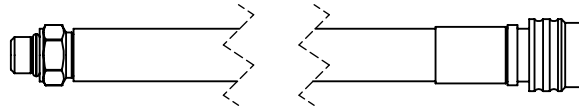


#2028
O-ring 6.08 x 1.78,
NBR, 70 Sh

#3018 Hose for ADV 798 mm

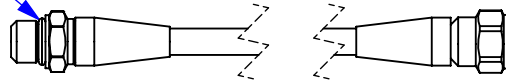


#3019 Hose for oxygen supply 436 mm

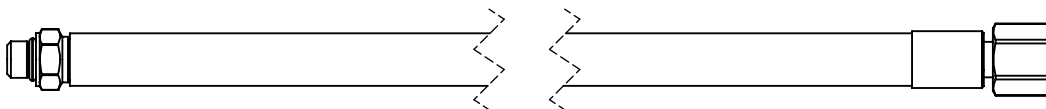


#3020 Hose for manual diluent bypass 960 mm

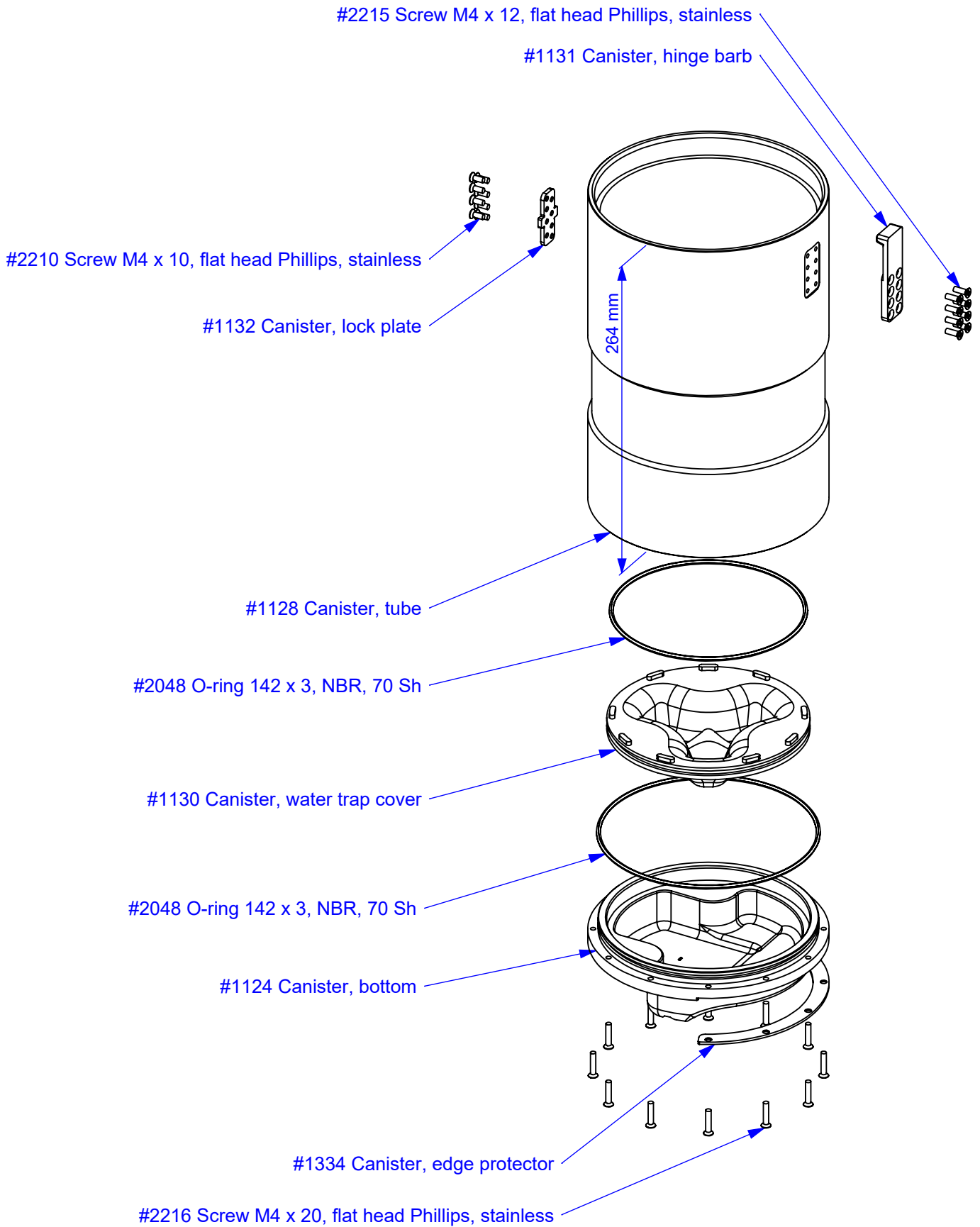
#2050
O-ring 8.74 x 1.78,
NBR, 70 Sh



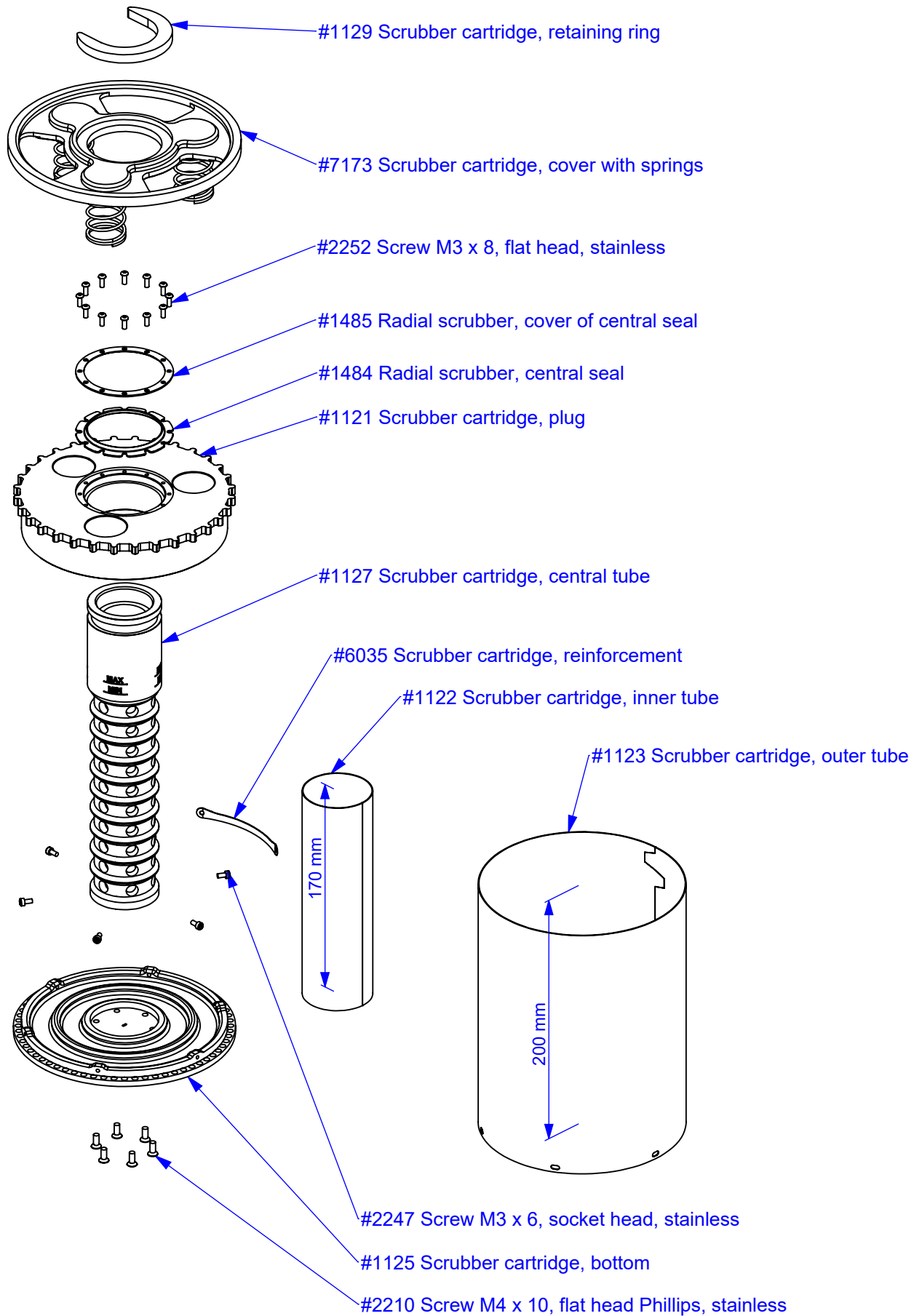
#3022 HP hose for submersible pressure gauge 929 mm
(2 pcs used in CCR Liberty)



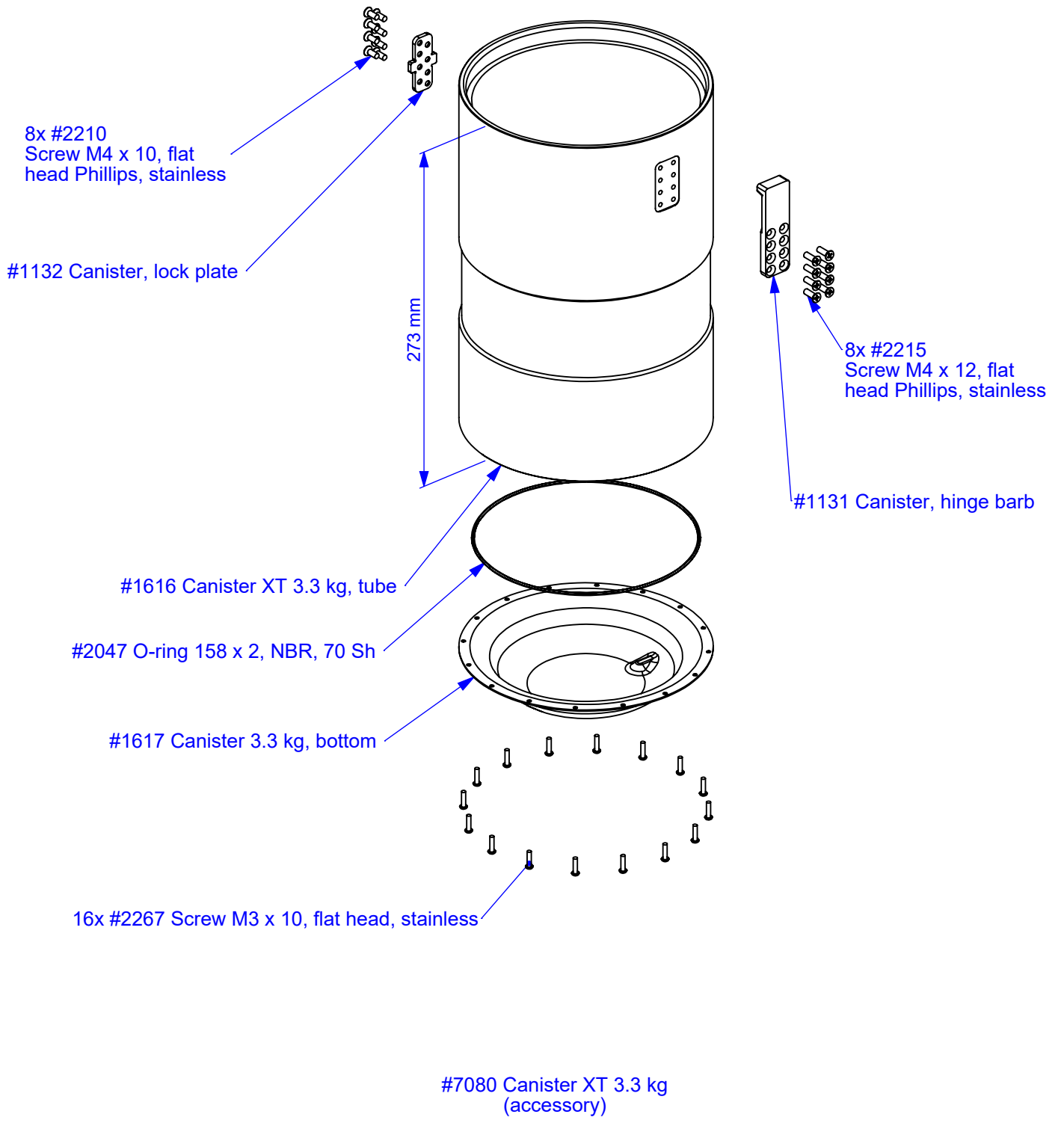
#3170 Hose for BOV 1100 mm
(used for bailout valve (accessory))

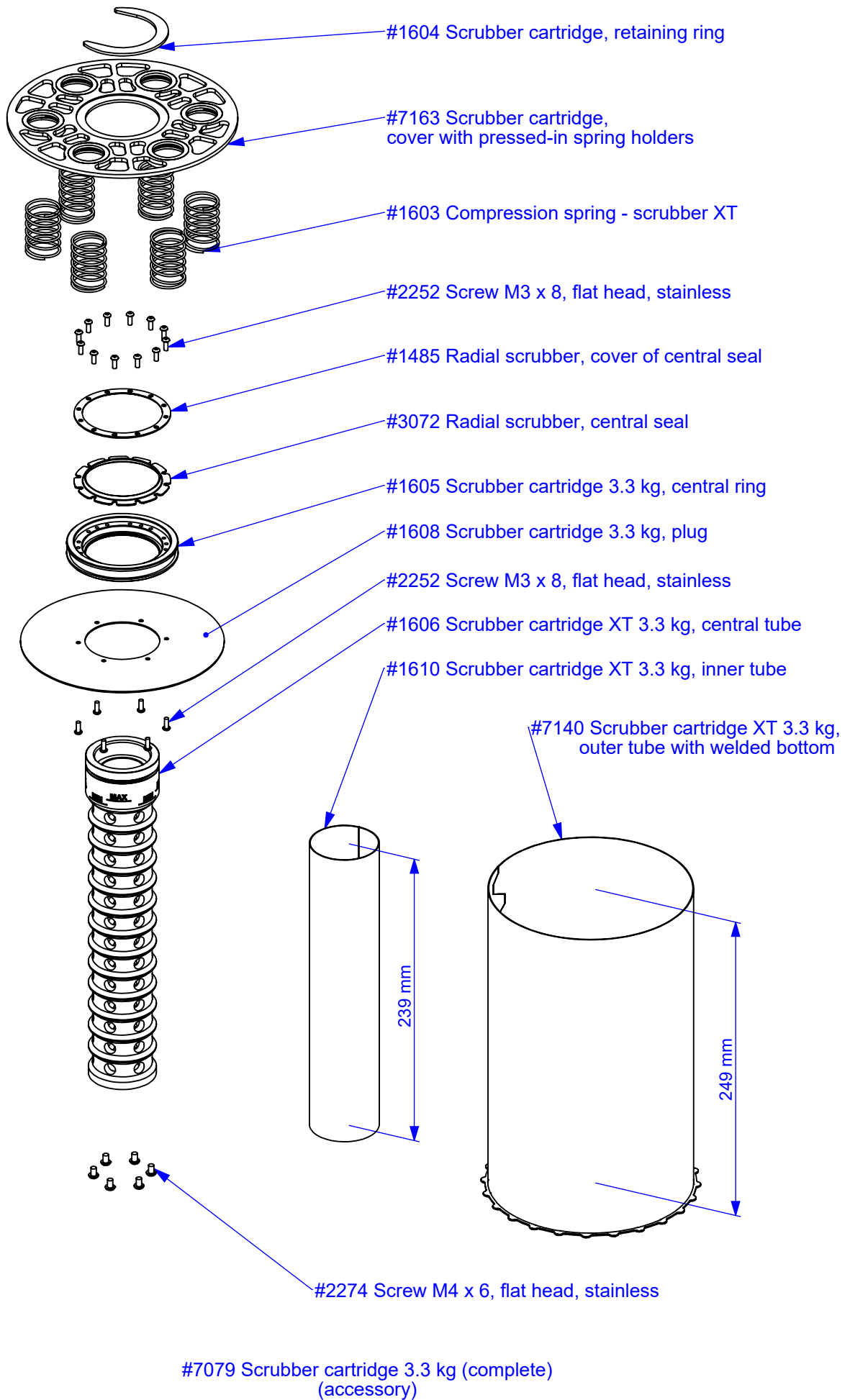


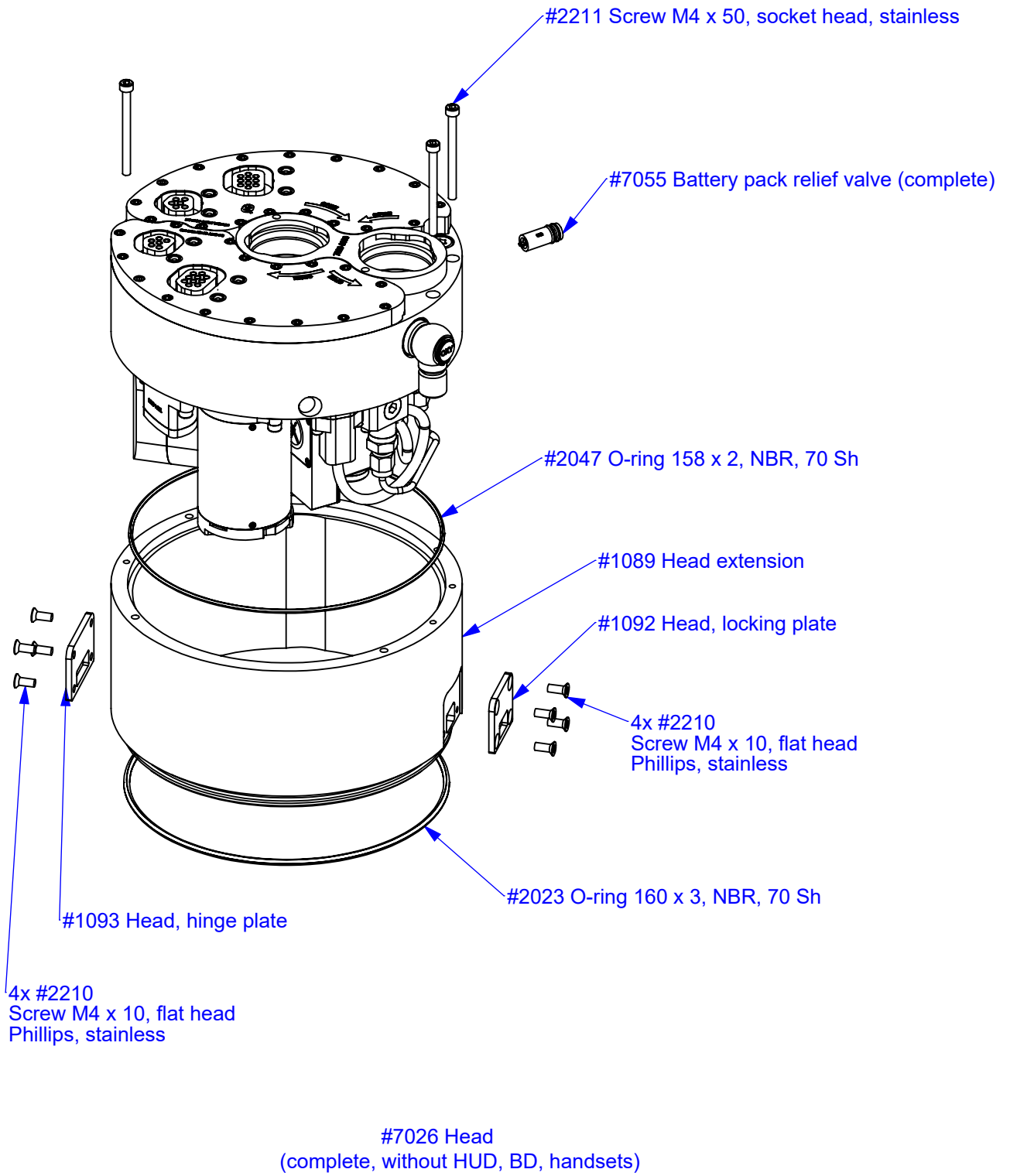
#7028 Canister (complete)

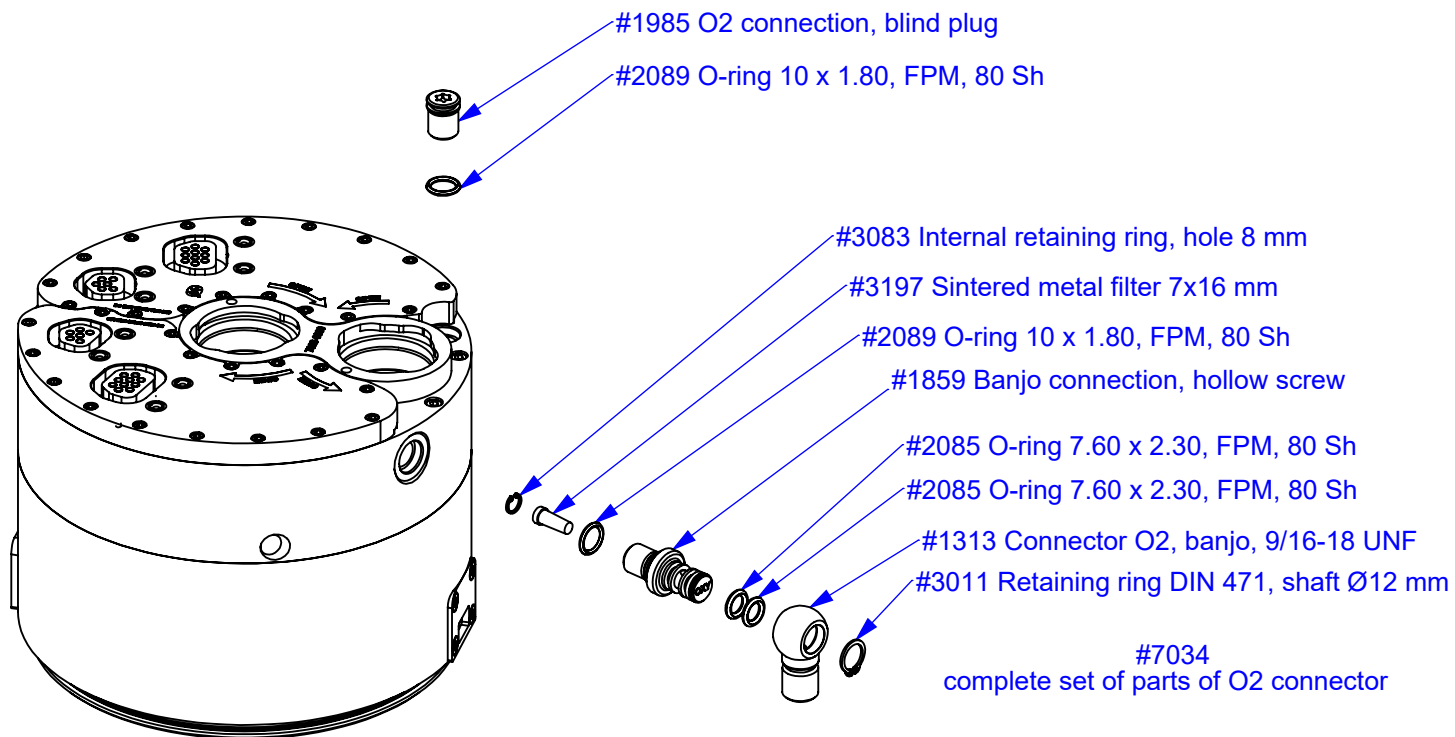


#7027 Scrubber cartridge (radial type) (complete)

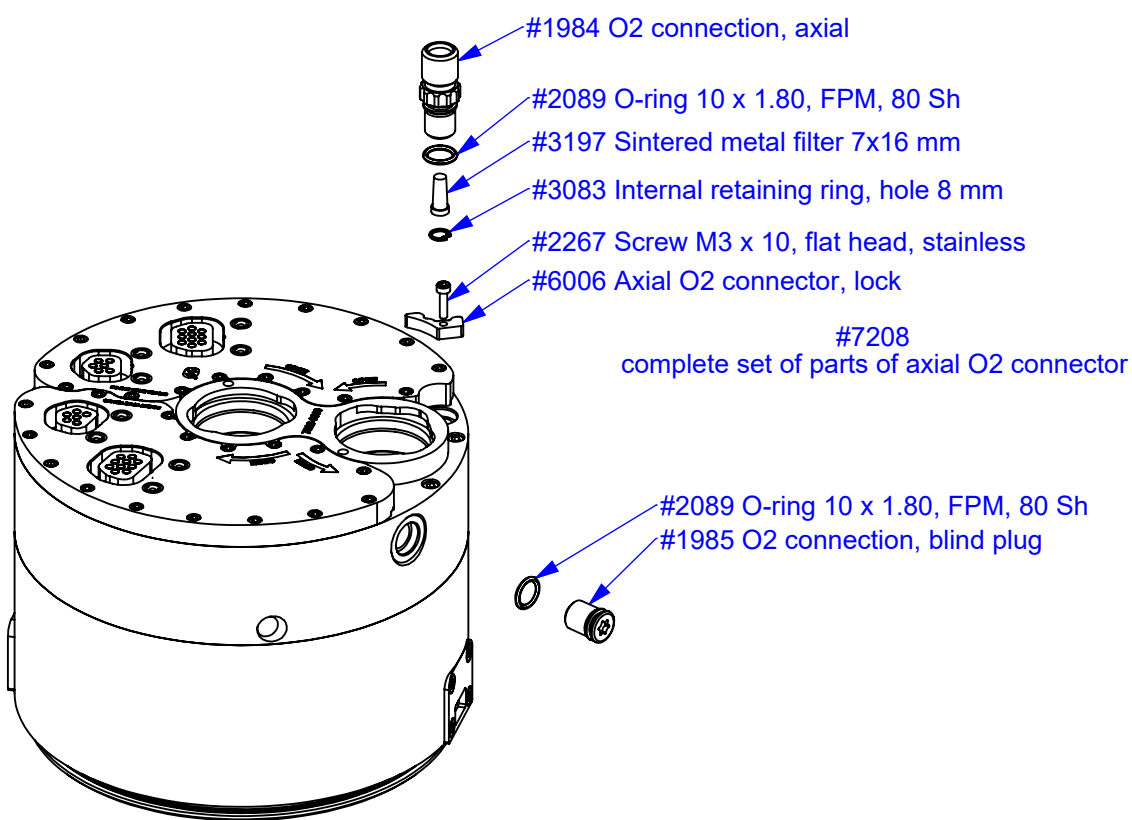




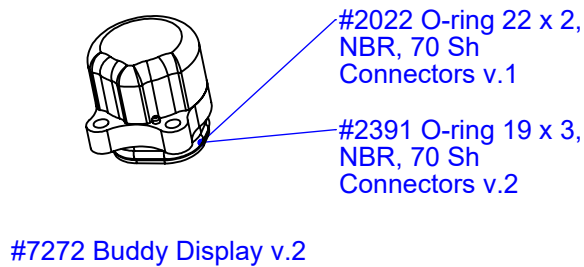
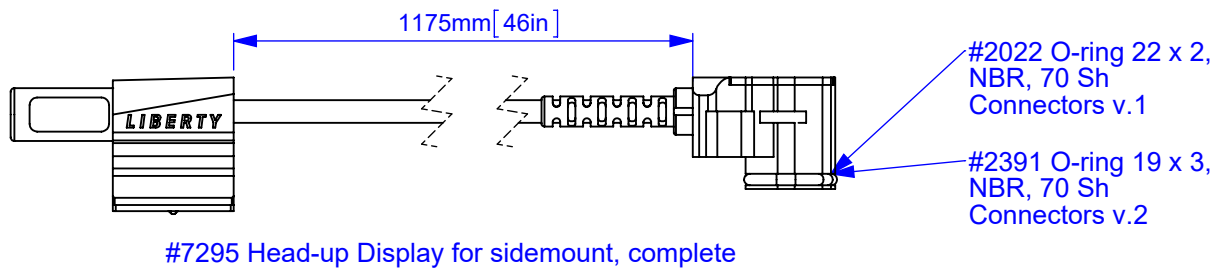
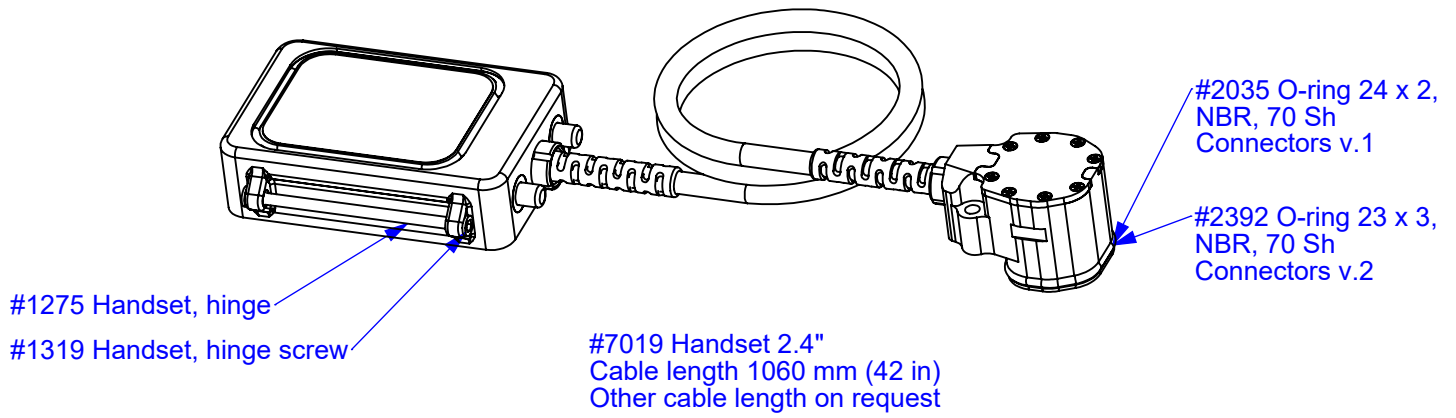




#7026 Head, radial O2 connector installed



#7203 Head with axial O2 connector, axial O2 connector installed



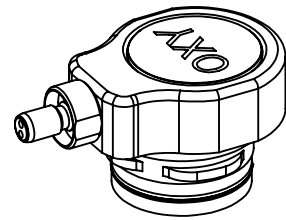
#2212 Screw M4 x 16, socket head, stainless
 for Buddy display (2 pcs used)



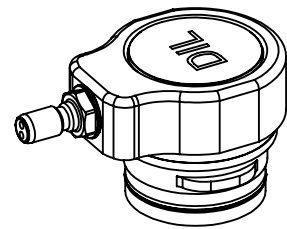
#2208 Screw M4 x 20, socket head, stainless
 for Handset and HUD (2 pcs used for each)



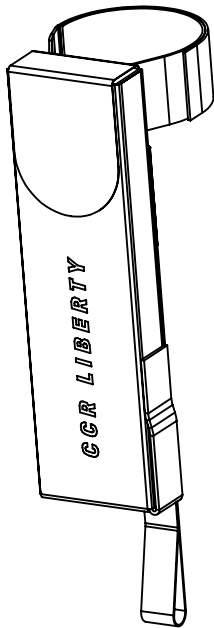
#7018 Loop assembly



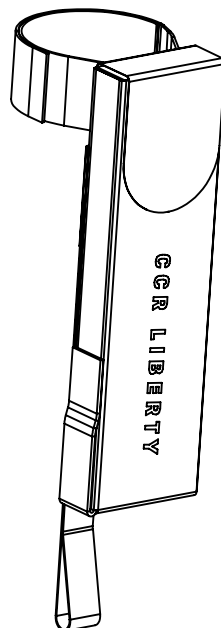
#8155 Manual add valve, oxygen, key 2 (three tabs)



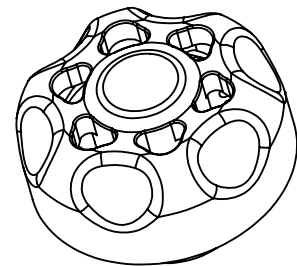
#8158 Manual add valve, swivelling, diluent, key 1 (two tabs)



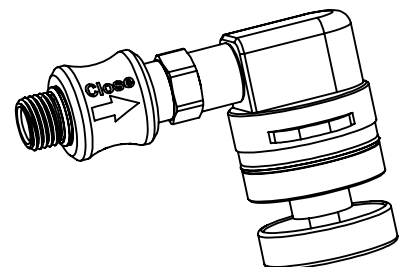
#7053 Weight pocket, left



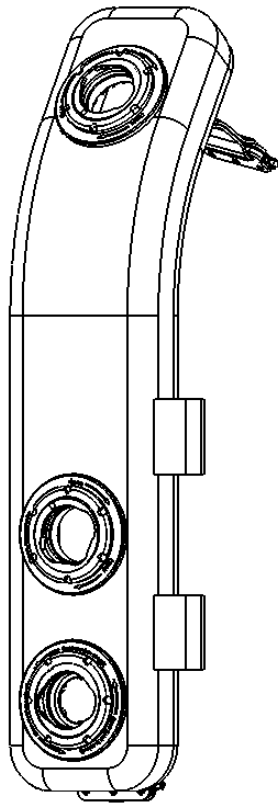
#7054 Weight pocket, right



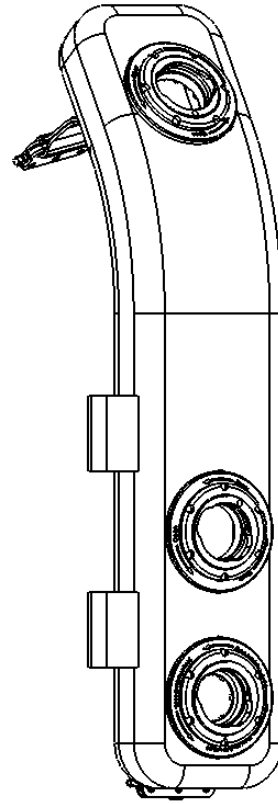
#8035 Overpressure valve



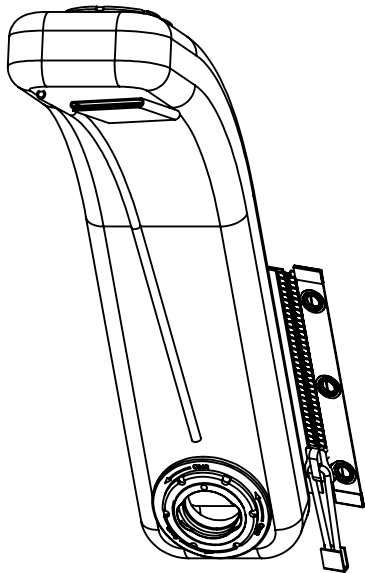
#8084 Automatic Diluent Valve, axial design



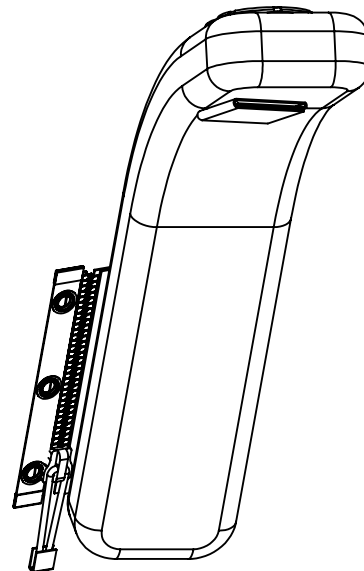
#7025
Counterlung, front
mounted, right (complete)



#7024
Counterlung, front
mounted, left (complete)



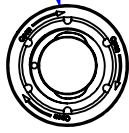
#8144
Counterlung back
mounted, right (complete)



#8143
Counterlung back
mounted, left (complete)

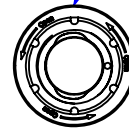
#1219
Counterlung, front mounted,
right (cover)

#8071
Counterlung bayonet
connection, socket,
right version - anti
blockage, keyway
code 1



#1218
Counterlung, front mounted,
left (cover)

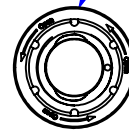
#8072
Counterlung bayonet
connection, socket,
left version - anti
blockage, keyway
code 1



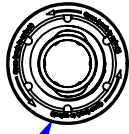
#8082
Counterlung bayonet
connection, socket,
right version, keyway
code 2



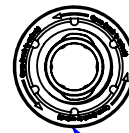
#8006
Counterlung bayonet
connection, socket,
left version, keyway
code 1



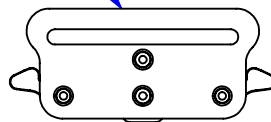
#8083
Counterlung bayonet
connection, left
version, lockable,
keyway code 1



#8083
Counterlung bayonet
connection, left
version, lockable,
keyway code 1



#8101 QRF Buckle



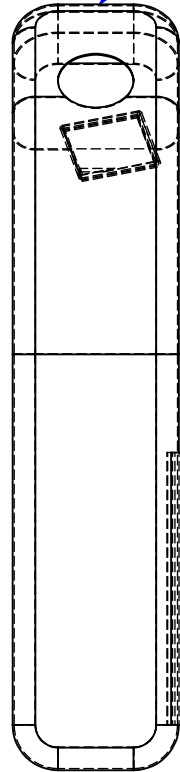
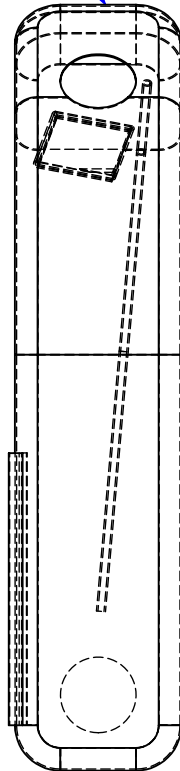
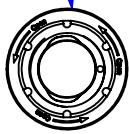
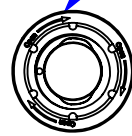
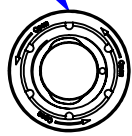
#1852
Counterlung, back mounted,
right (cover)

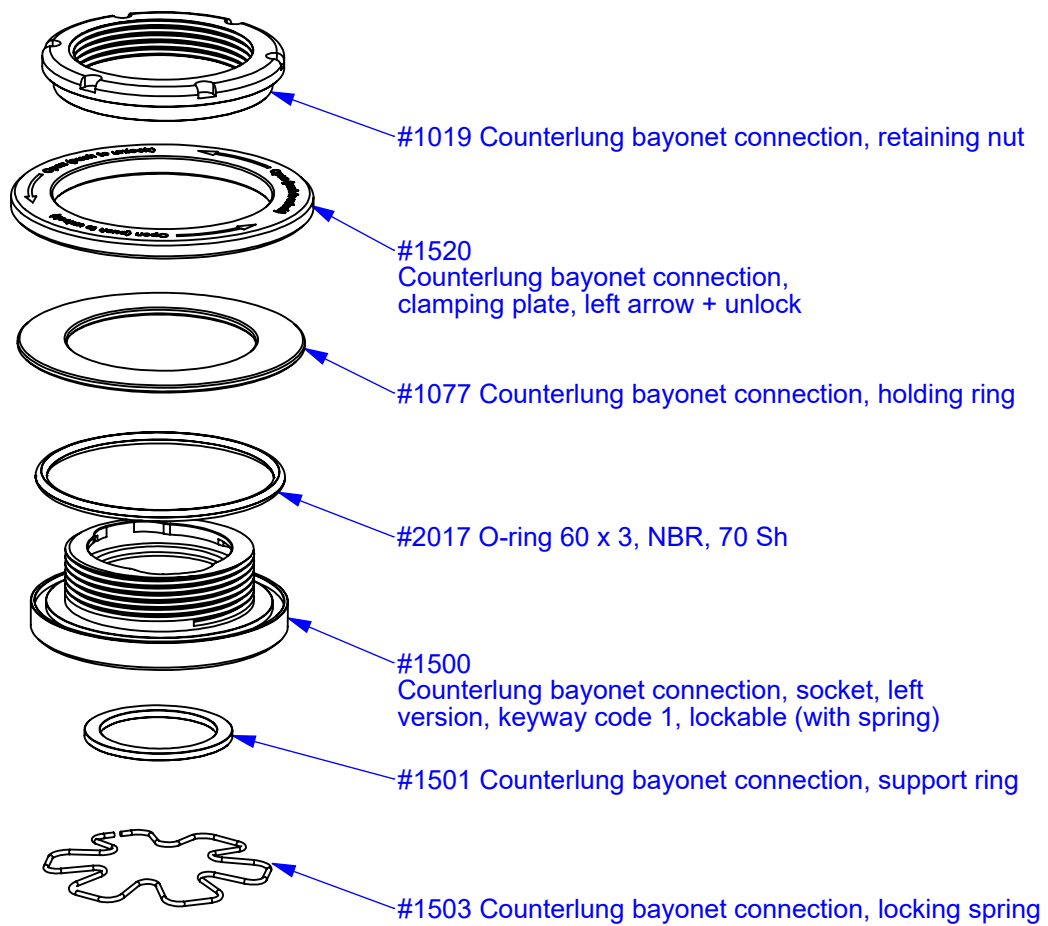
#1853
Counterlung, back mounted,
left (cover)

#8072
Counterlung bayonet
connection, socket,
left version - anti
blockage, keyway
code 1

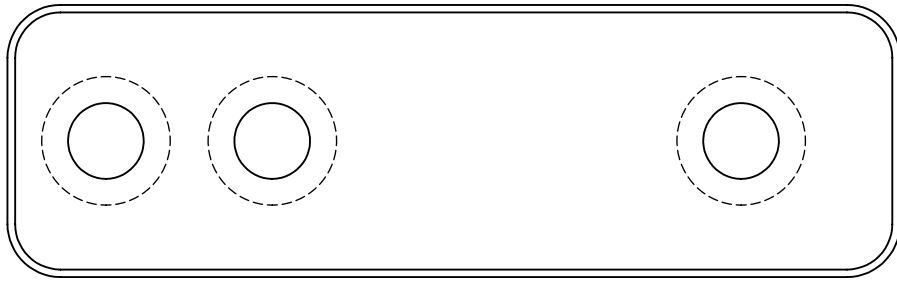
#8071
Counterlung bayonet
connection, socket,
right version - anti
blockage, keyway
code 1

#8006
Counterlung bayonet
connection, socket,
left version, keyway
code 1

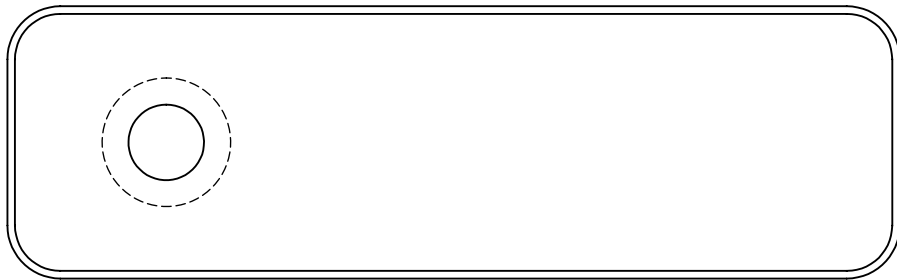




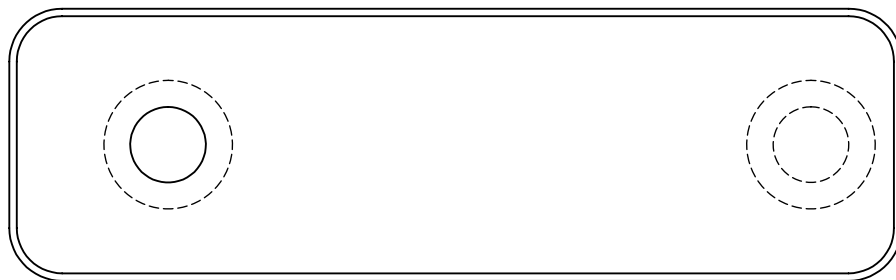
#8083 Counterlung bayonet connection, left version, lockable, keyway code 1



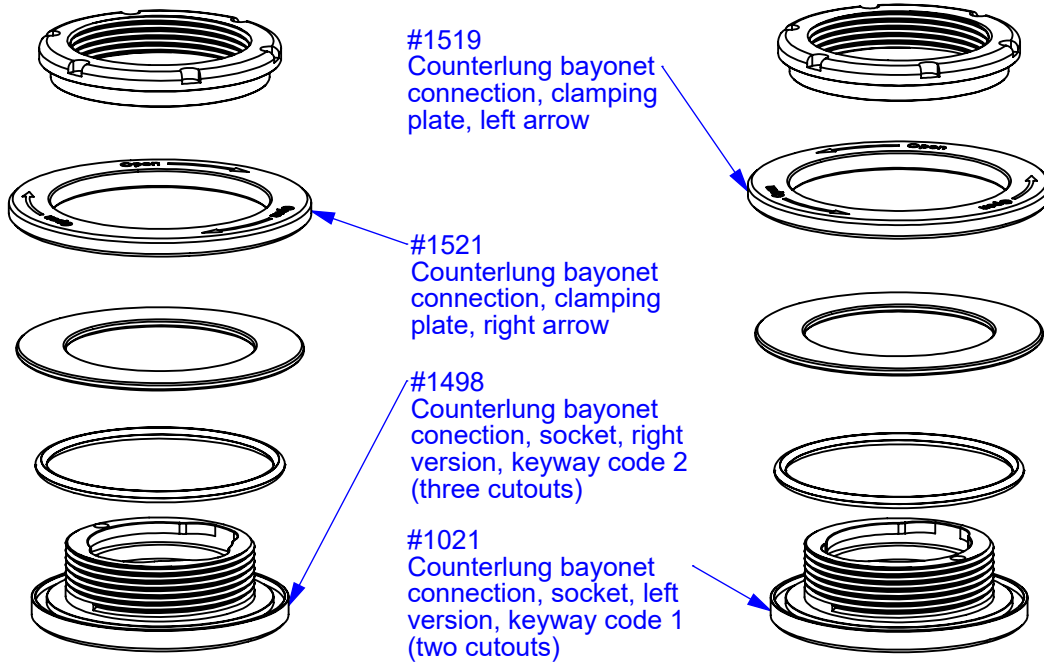
#1631 counterlung, bladder PES
(fits to both front mounted counterlungs)



#1855 counterlung back mounted, left, bladder PES



#1854 counterlung back mounted, right, bladder PES



#1519
Counterlung bayonet
connection, clamping
plate, left arrow

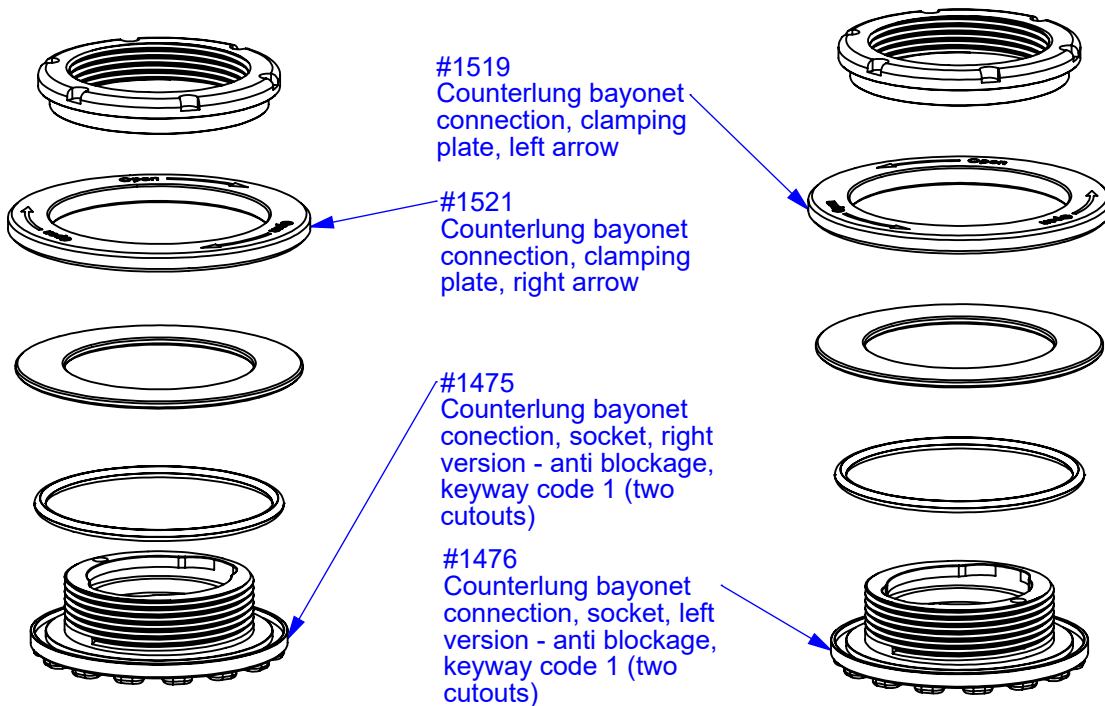
#1521
Counterlung bayonet
connection, clamping
plate, right arrow

#1498
Counterlung bayonet
conection, socket, right
version, keyway code 2
(three cutouts)

#1021
Counterlung bayonet
connection, socket, left
version, keyway code 1
(two cutouts)

#8082
Counterlung bayonet connection, socket, right
version, keyway code 2

#8006
Counterlung bayonet connection, socket, left
version, keyway code 1



#1519
Counterlung bayonet
connection, clamping
plate, left arrow

#1521
Counterlung bayonet
connection, clamping
plate, right arrow

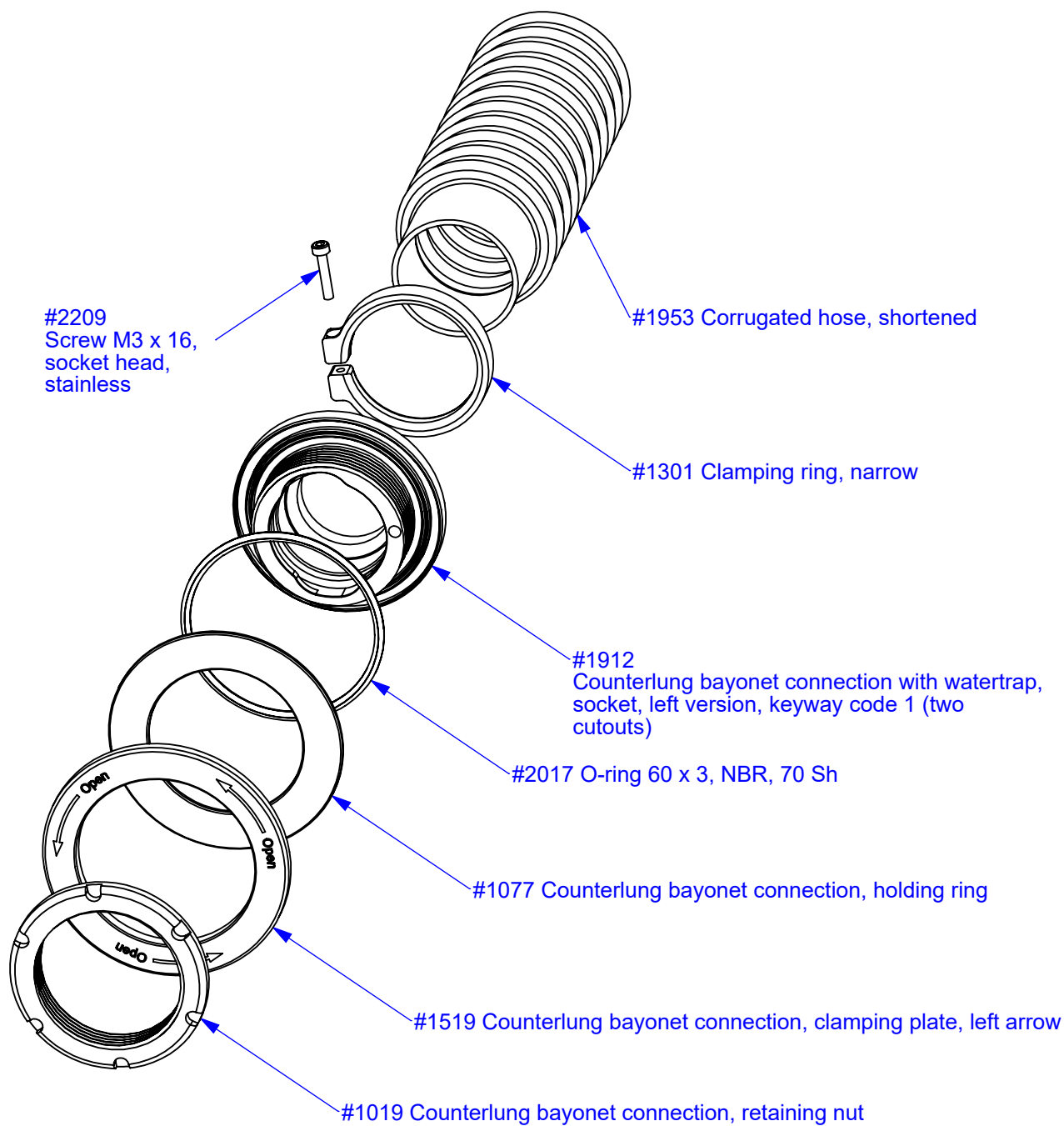
#1475
Counterlung bayonet
conection, socket, right
version - anti blockage,
keyway code 1 (two
cutouts)

#1476
Counterlung bayonet
connection, socket, left
version - anti blockage,
keyway code 1 (two
cutouts)

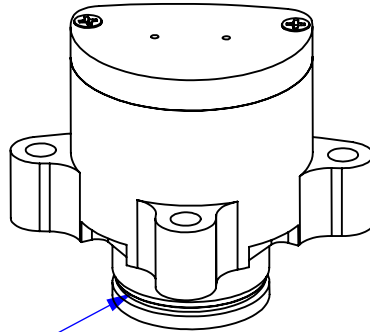
#8071
Counterlung bayonet connection, socket, right
version - anti blockage, keyway code 1

#8072
Counterlung bayonet connection, socket, left
version - anti blockage, keyway code 1

For common parts see next page

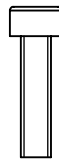


#8192
 Counterlung bayonet connection with
 watertrap, socket, left version, keyway code 1



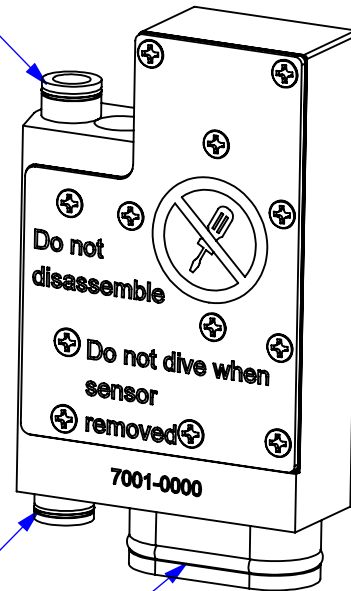
#2034 O-ring 16 x 2, NBR, 70 Sh

#7294 Pressure sensor, high resolution



#2212 Screw M4 x 16, socket head, stainless
for pressure sensor (3 pcs used for each sensor)

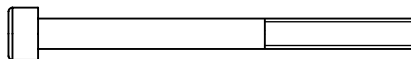
#2073 O-ring 6 x 1, NBR, 70 Sh



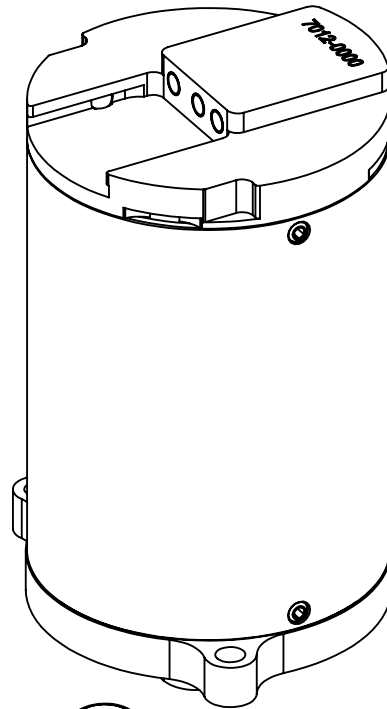
#2073 O-ring 6 x 1, NBR, 70 Sh

#2034 O-ring 16 x 2, NBR, 70 Sh

#7001 He sensor



#2211 Screw M4 x 50, socket head, stainless for He sensor

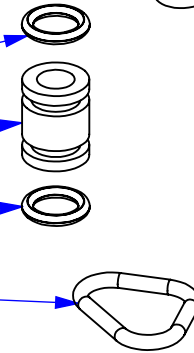


#2088 O-ring 6 x 1.50, NBR, 70 Sh

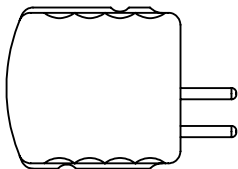
#1480 Bleed valve connector

#2088 O-ring 6 x 1.50, NBR, 70 Sh

#2045 O-ring 12.5 x 2, NBR, 70 Sh



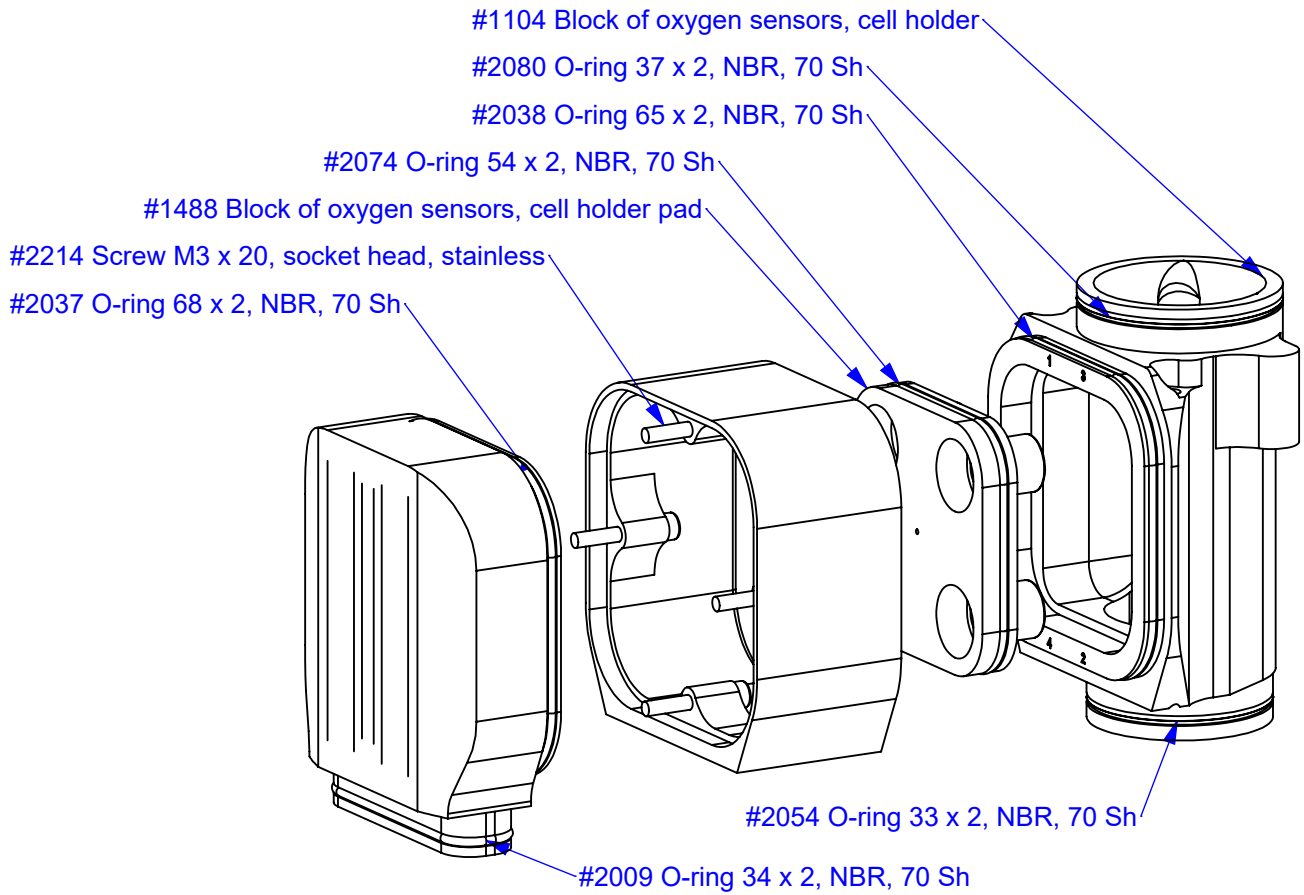
#7012 Battery pack Li-Ion, 5.7 Ah



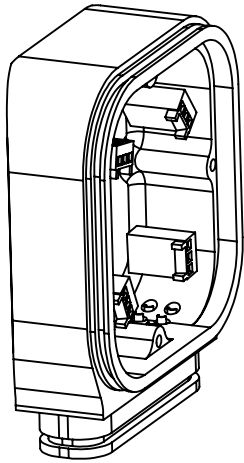
#7013 Jumper for battery pack



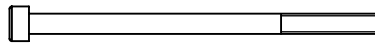
#2212 Screw M4 x 16, socket head, stainless for battery pack (2 pcs used for each batt. pack)



#7029 Block of oxygen sensors (without oxygen sensors)



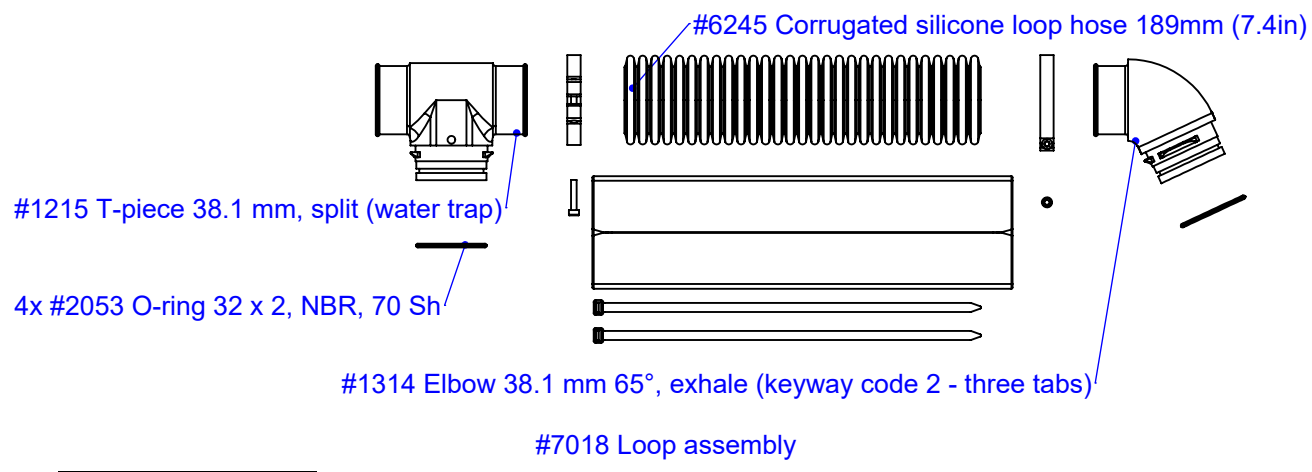
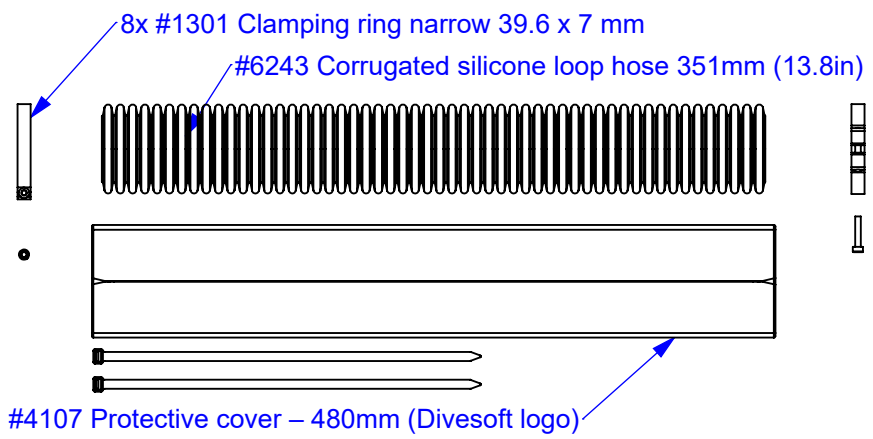
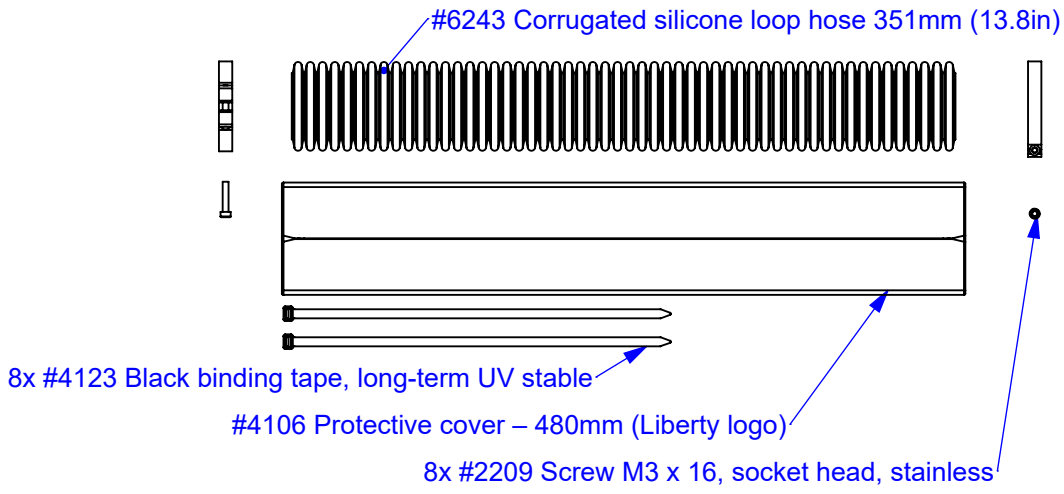
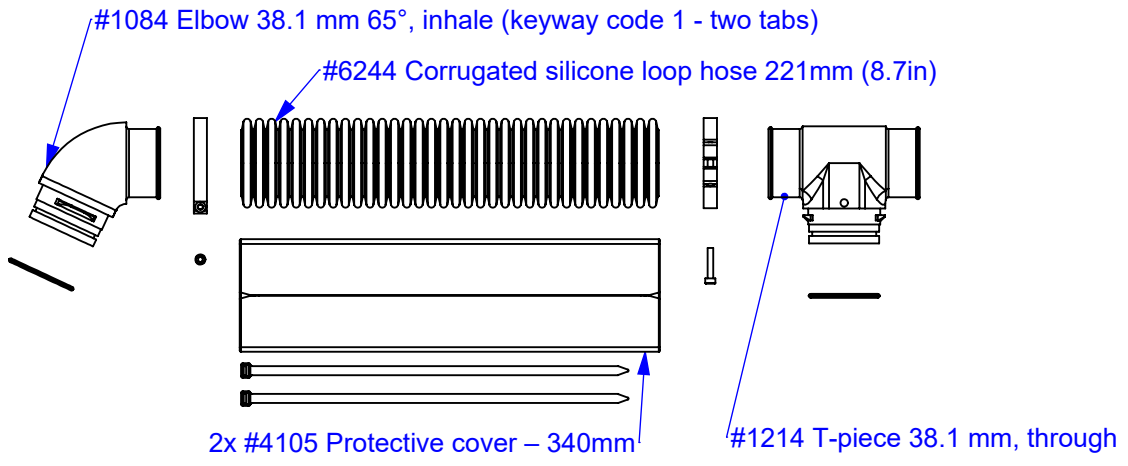
#7066 Block of oxygen sensors, cover assembly (with cables and connectors, without o-rings)



#2253 Screw M4 x 70, socket head, stainless for block of oxygen sensors (2 pcs used)



#3092 Oxygen sensor, type 22D (with hydrophobic membrane) (4 pcs used)



#1015 Mouthpiece, straight nipple 38.1 mm (1 1/2") — inhale

For snap rings see next page

#1012 One-way valve insert

#3006
Umbrella valve 35.50 mm,
low opening pressure

2x #3008
Retaining ring DIN 472, bore Ø32 mm

#1255 Dive/Surface Valve, gate

#1941 Dive/Surface Valve, body

#3007 Mouthpiece

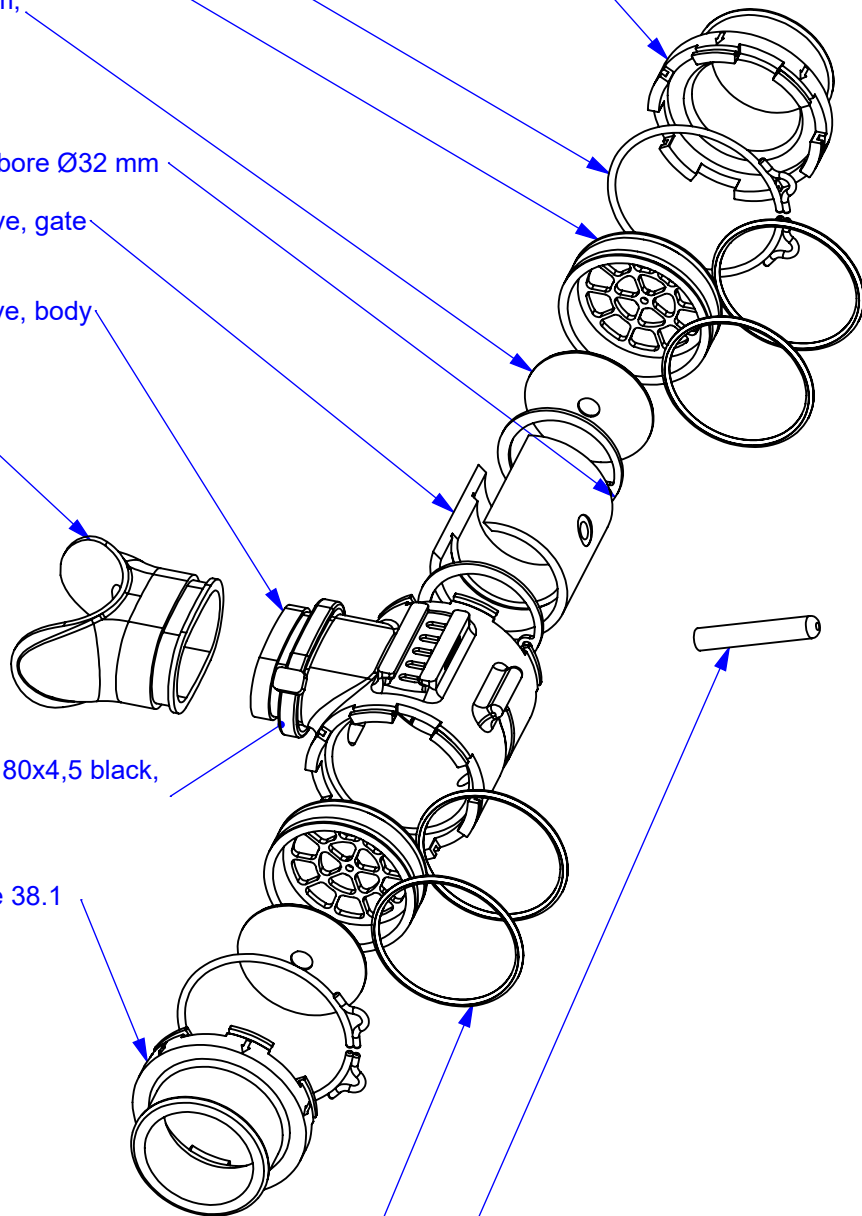
#3142 Tightening strap 180x4,5 black,
for mouthpiece

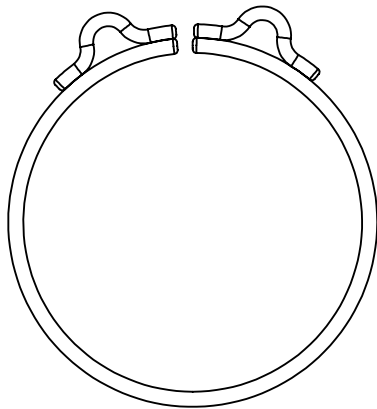
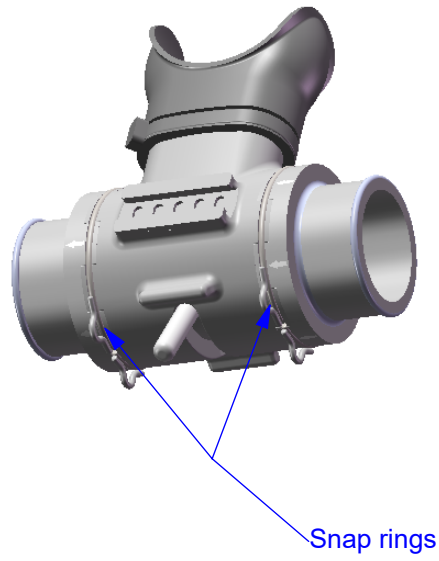
#1497
Mouthpiece, straight nipple 38.1
mm (1 1/2") — exhale

#2010 O-ring 38 x 2, NBR, 70 Sh

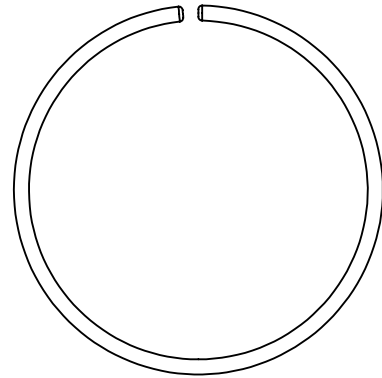
#1010 Dive/Surface Valve, gate handle

#8003 Dive/Surface Valve



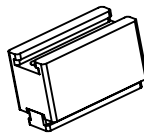


#7189 Snap ring with eyelets

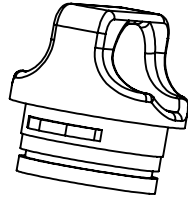


#1014 Snap ring

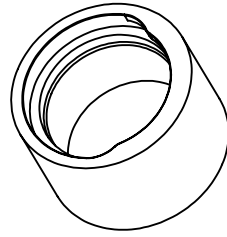
Both types of snap rings can be used with all types of mouthpieces (DSV, BOV)



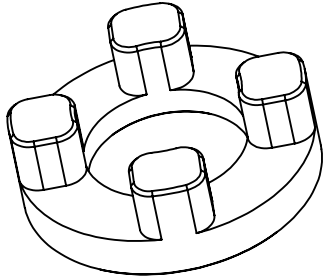
#7052 HUD Extension 17 mm



#6018 Blind plug



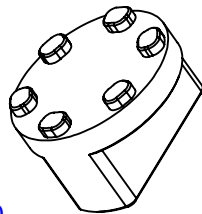
#1486 Bayonet socket, cover



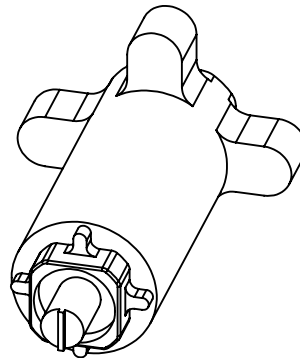
#1023 Tightening tool for counterlung bayonet connectors
3D



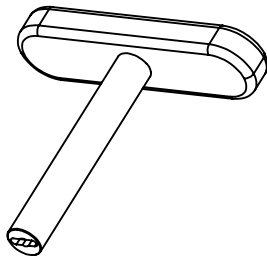
#1217 Adjusting tool for counterlung bayonet connectors
3D



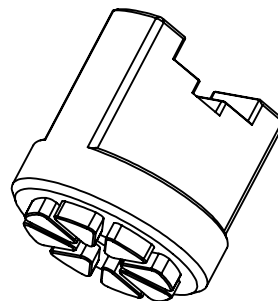
#1850 Tightening tool for diaphragm ADV
3D



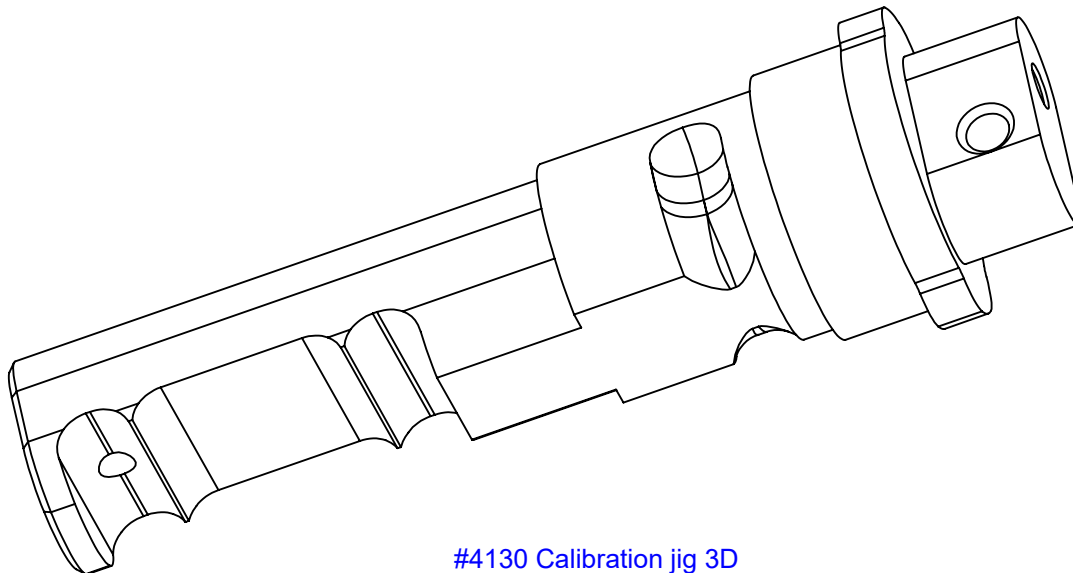
#1928 BOV multitool



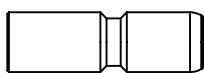
#7135 ADV valve tool



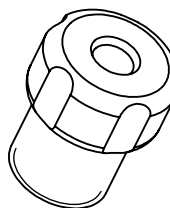
#1927 Multitool for low profile dump valve
3D



#4130 Calibration jig 3D

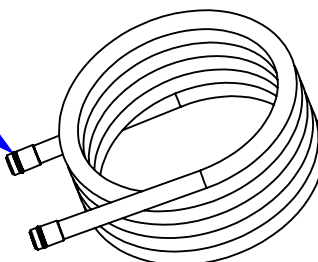


#1591 Inflator flow limiter

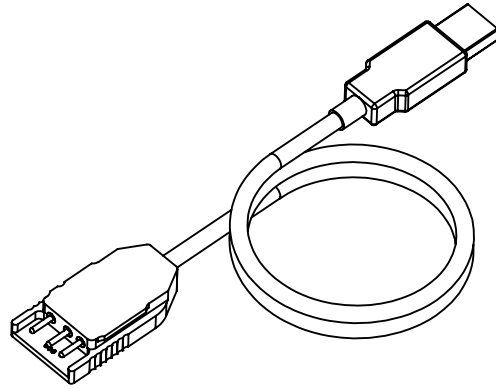


#7114 LP hose 9/16-18 UNF flow limiter

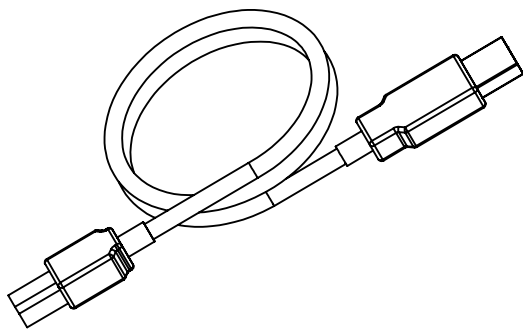
#2002 O-ring 3 x 1, NBR, 70 Sh



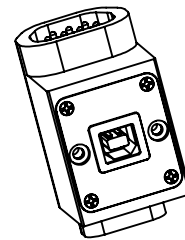
#8009 Low-pressure connection hose



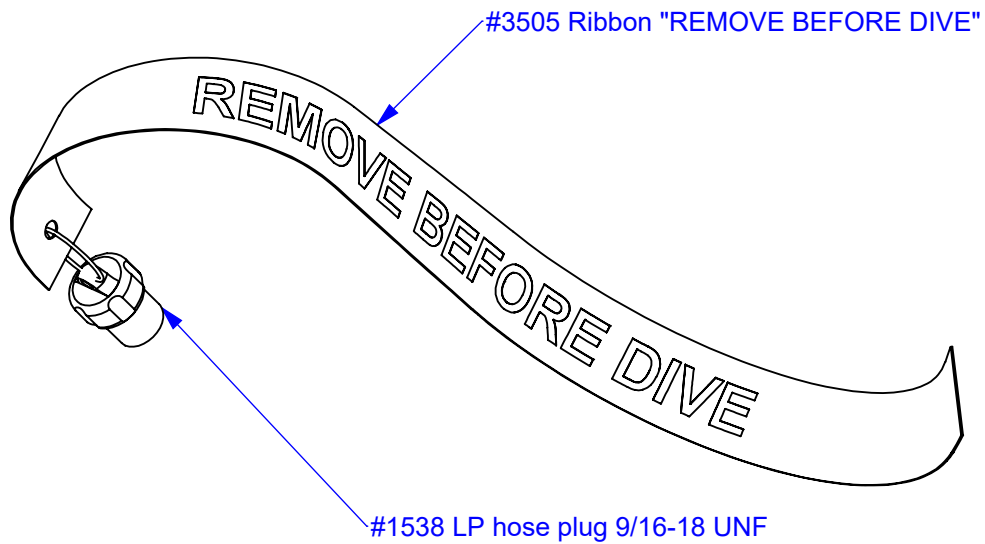
#7045 Charging cable USB



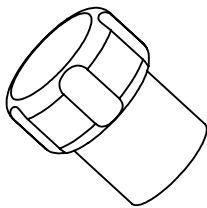
#3134 USB 2.0 "AB" cable



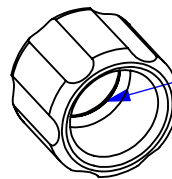
#7023 Multi-purpose USB connector



#7070 LP hose plug 9/16-18 UNF with ribbon "REMOVE BEFORE DIVE"

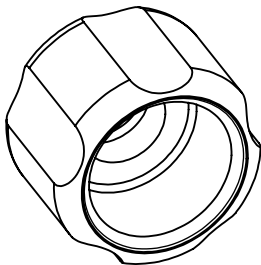


#1530 LP hose plug 9/16-18 UNF

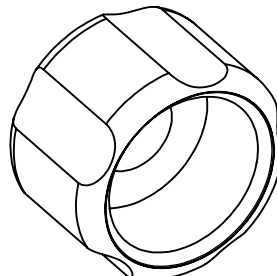


#2062
O-ring 11 x 2.50,
NBR, 70 Sh

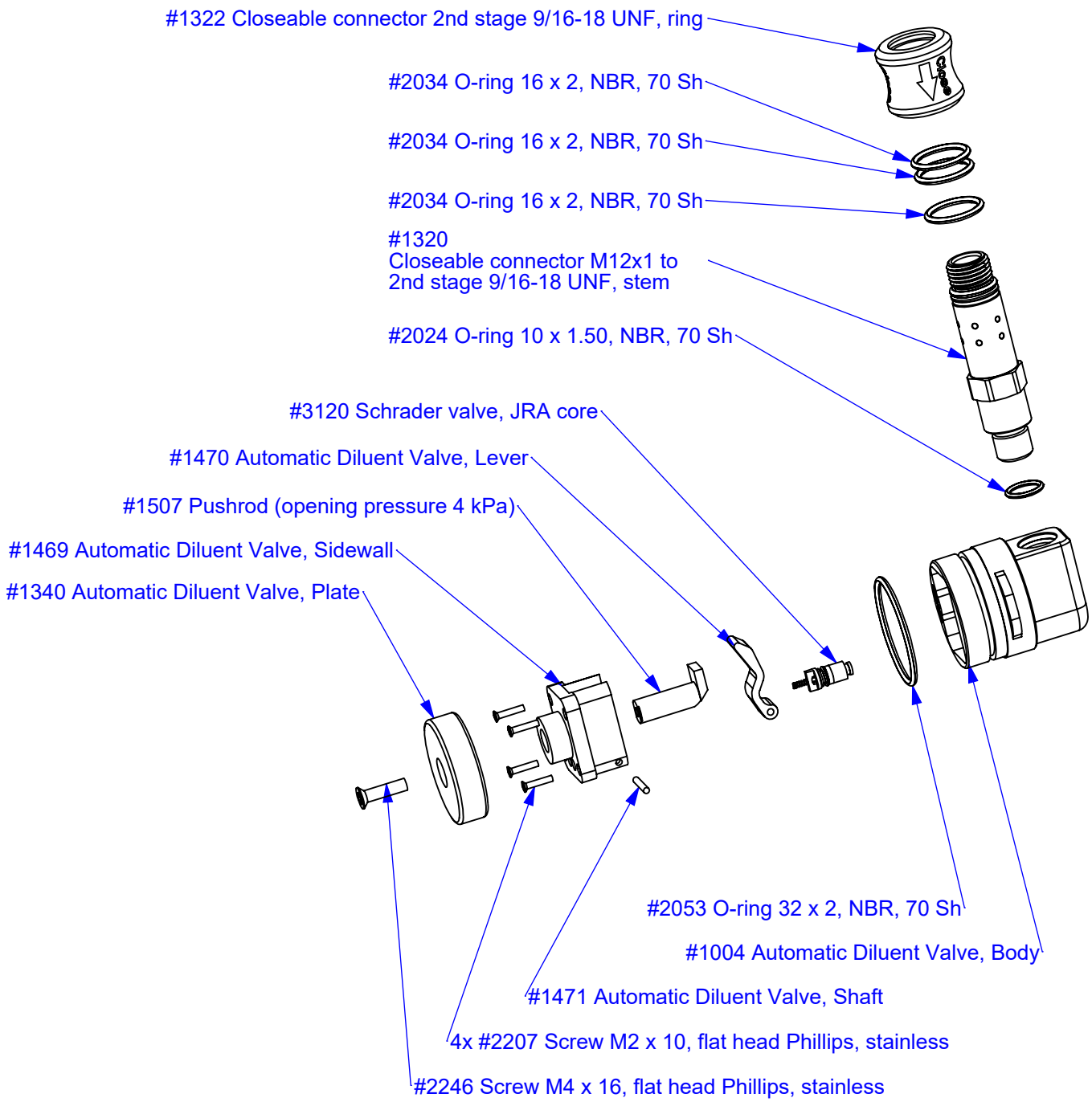
#7068
Watertight screw cap
9/16-18 UNF, assembly



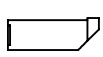
#1076
Watertight screw cap "DIN" (G5/8)



#1529 Watertight screw cap M26x2



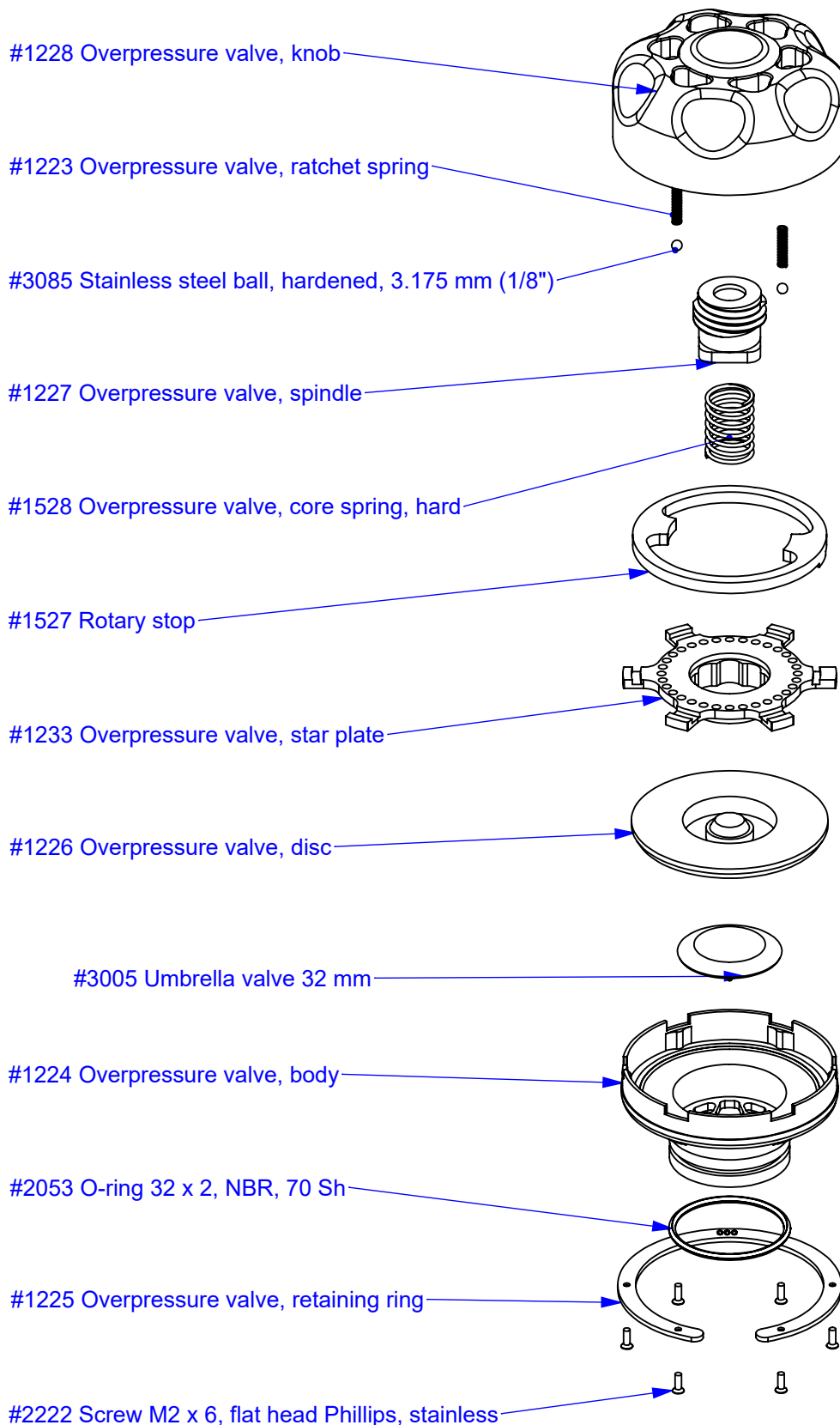
#8084 Automatic Diluent Valve, axial design



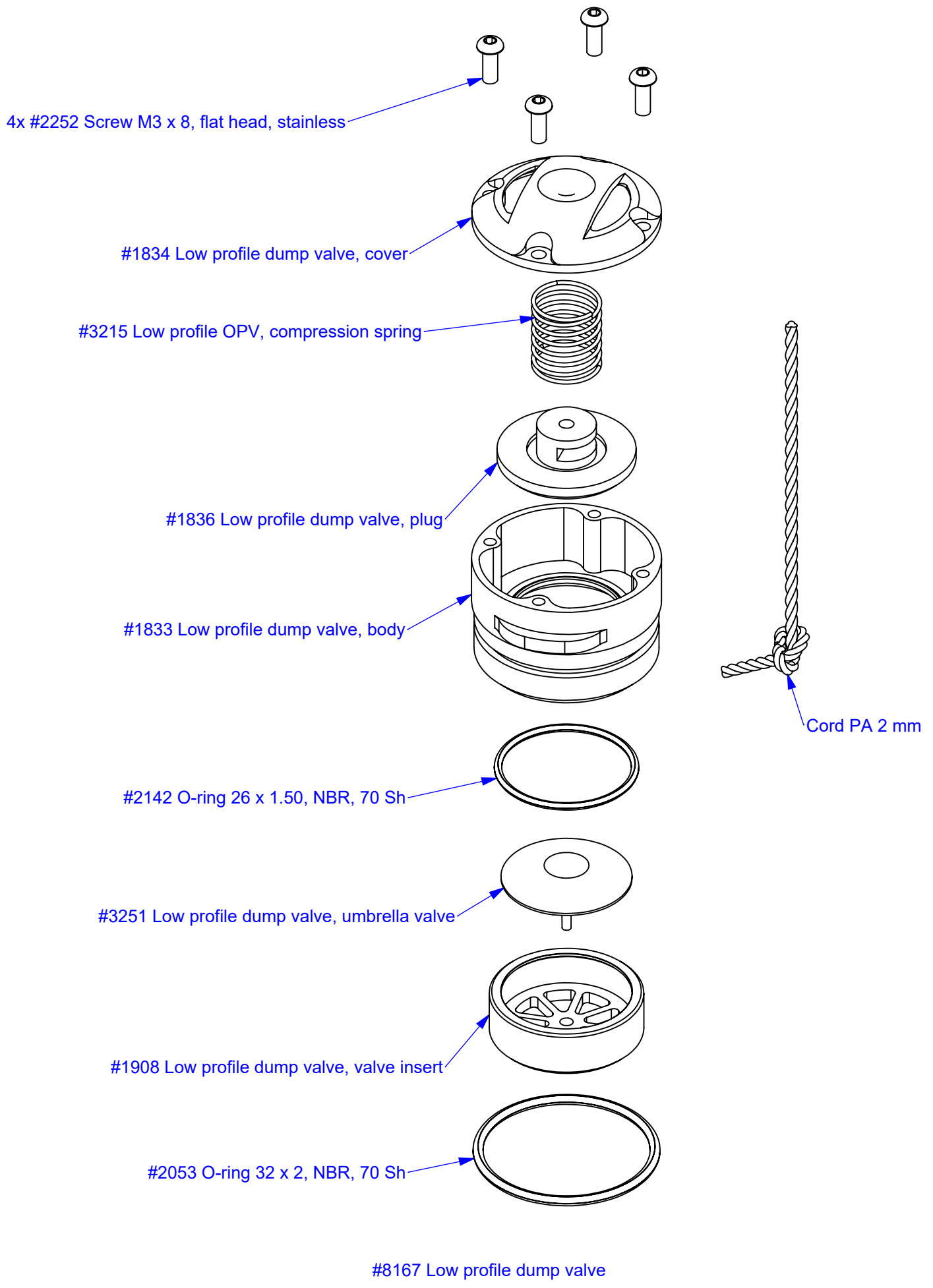
#1515 Pushrod (opening pressure 5 kPa)
Not used in CCR Liberty CE

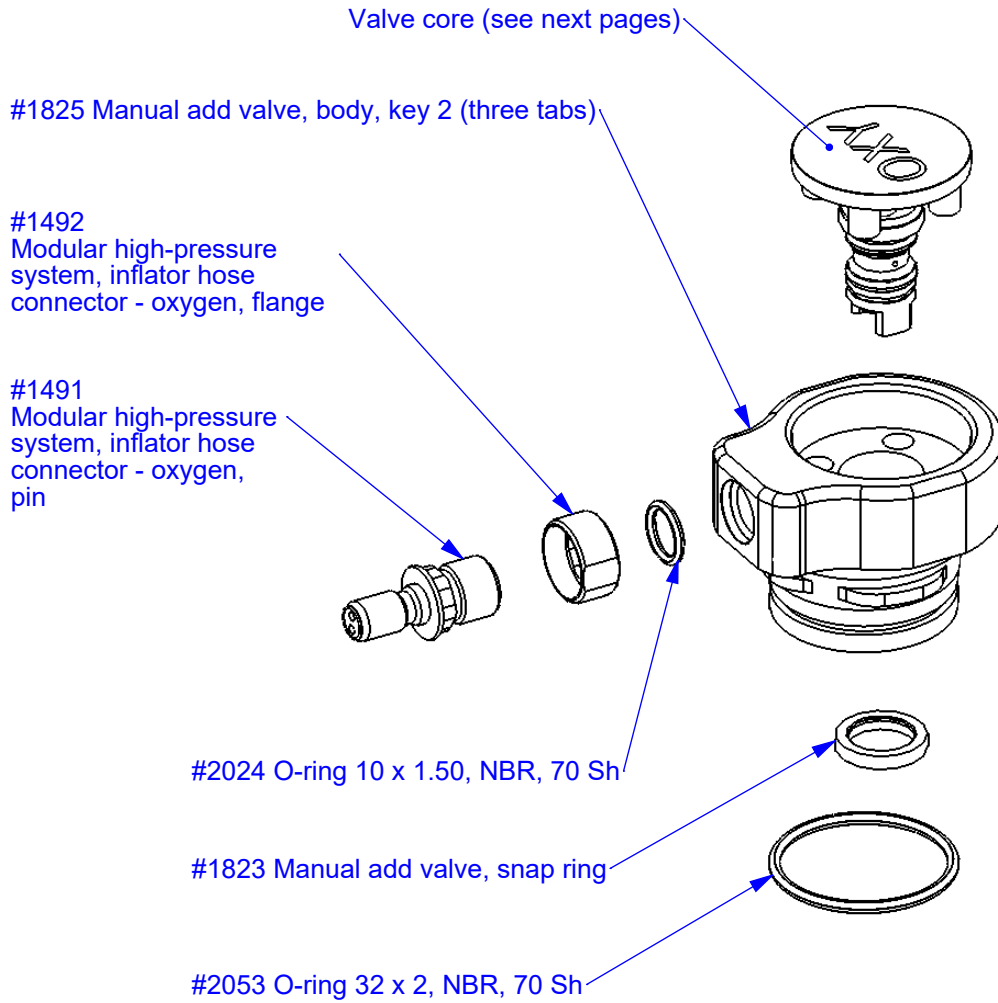


#1526 Additional spring to ADV
(increases opening pressure)
Not used in CCR Liberty CE



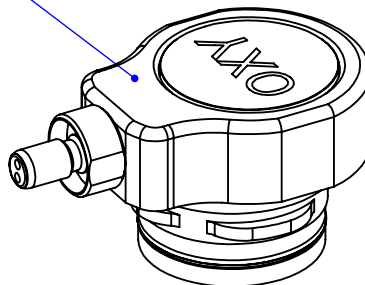
#8035 Overpressure valve



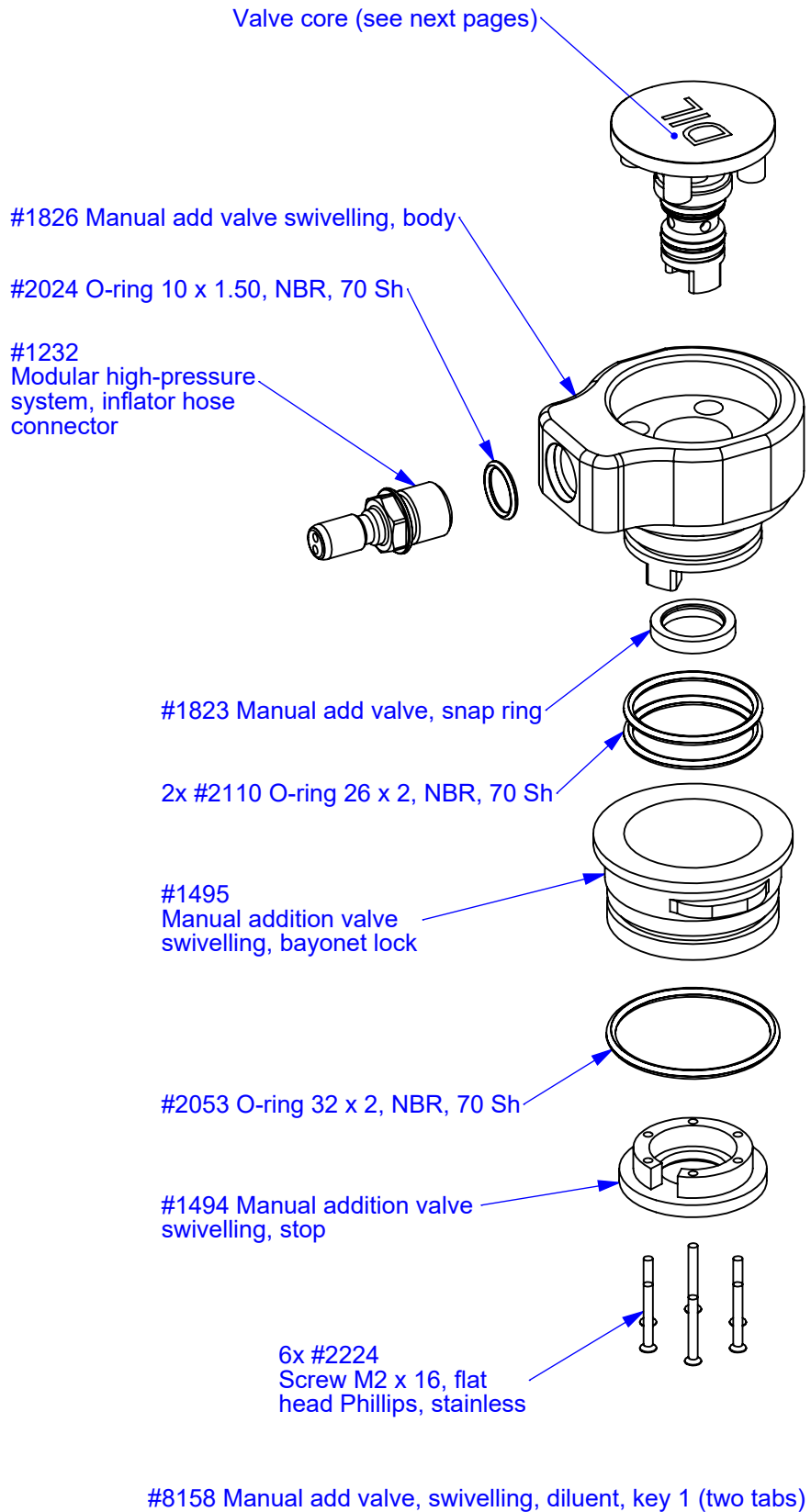


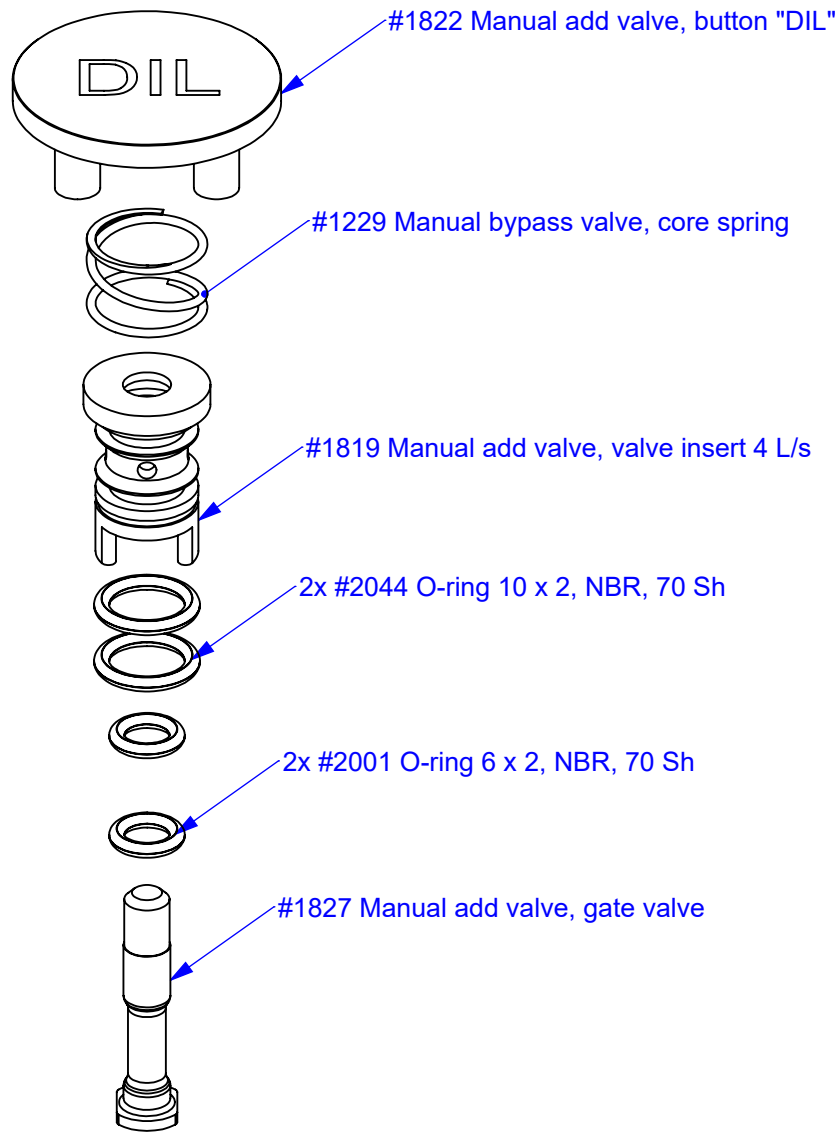
#8155 Manual add valve, oxygen, key 2 (three tabs)

#1825
Manual add
valve, body,
key 2 (three
tabs)

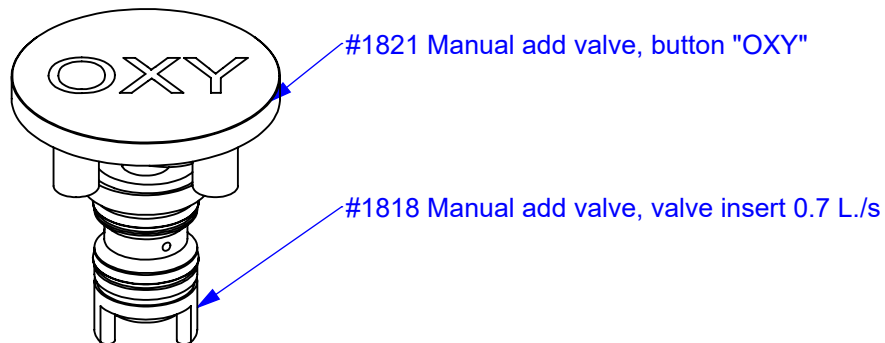


#8155 Manual add valve, oxygen, key 2 (three tabs)



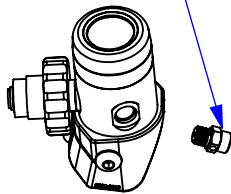


#7084 MAV, valve core, diluent 4 L/s

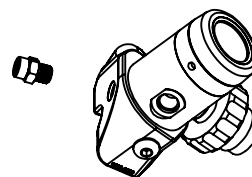
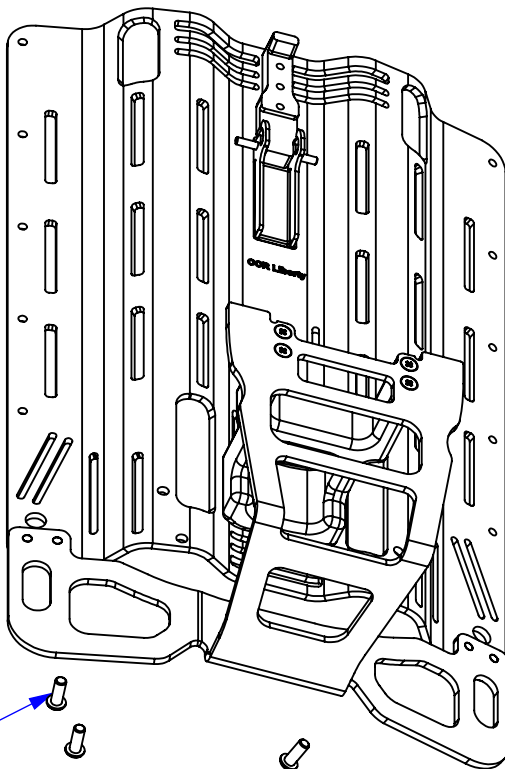


#7085 MAV, valve core, oxygen 0.7 L/s

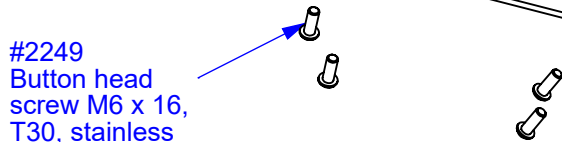
#3128
1st stage overpressure
relief valve 3/8-24 UNF



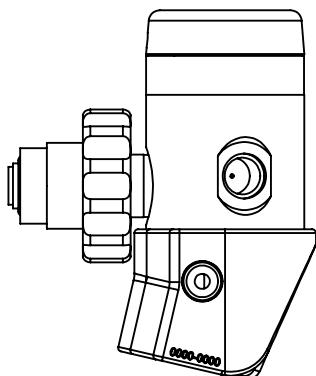
Diluent



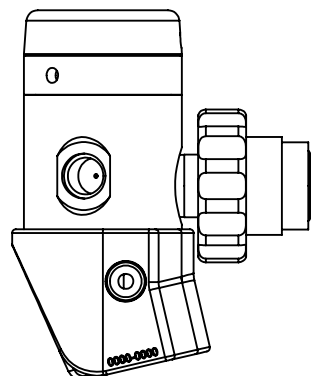
Oxygen



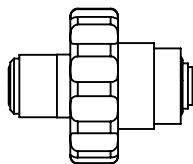
#2249
Button head
screw M6 x 16,
T30, stainless



#3025
1st stage regulator Apeks DST with
left manifold block, G 5/8 connection



#3114
1st stage regulator Apeks DST with
right manifold block, M26x2 connection



#7067
Apeks DST, Connector
DIN (G 5/8), assembly



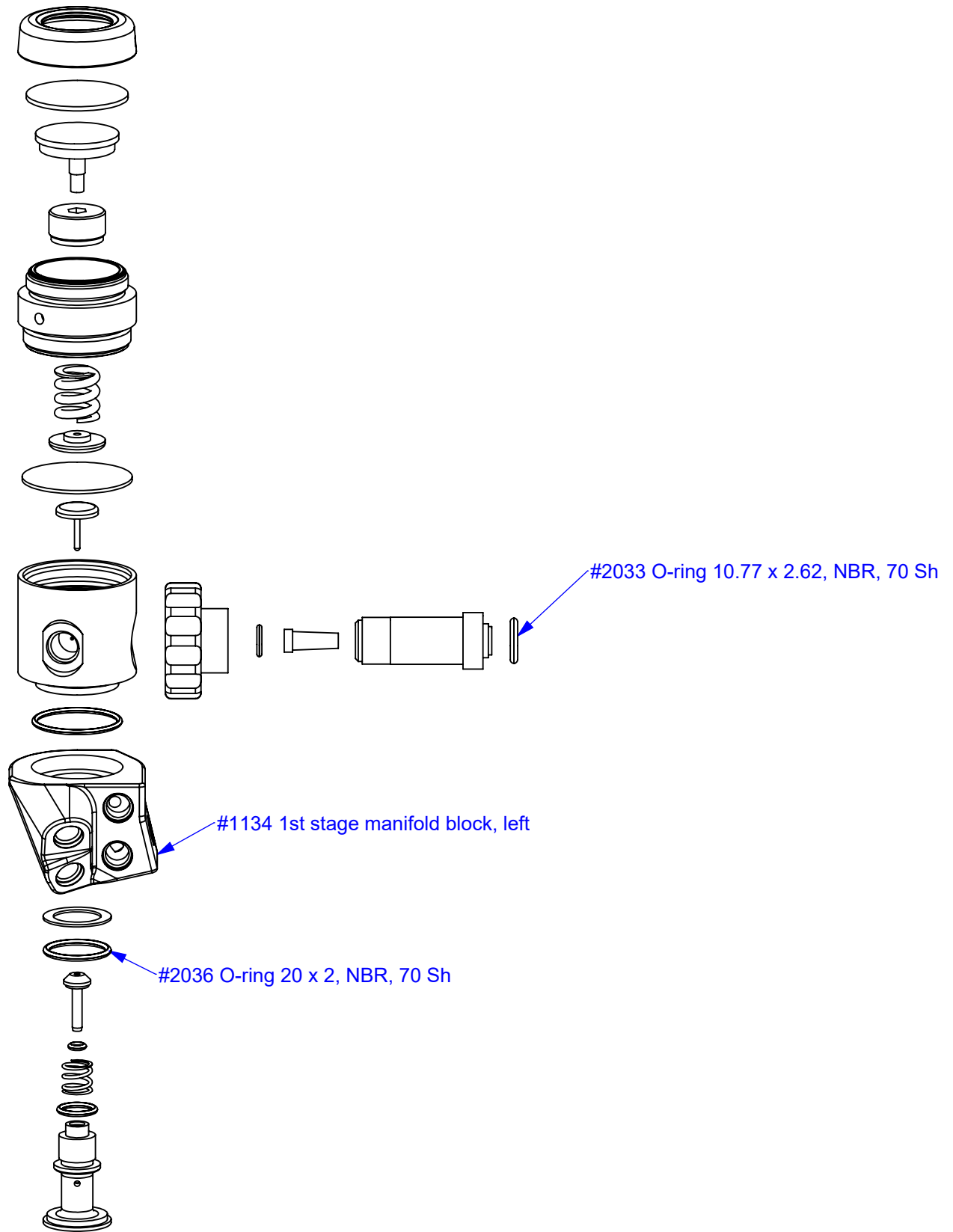
#1856
Blanking plug 7/16-20
(high pressure)



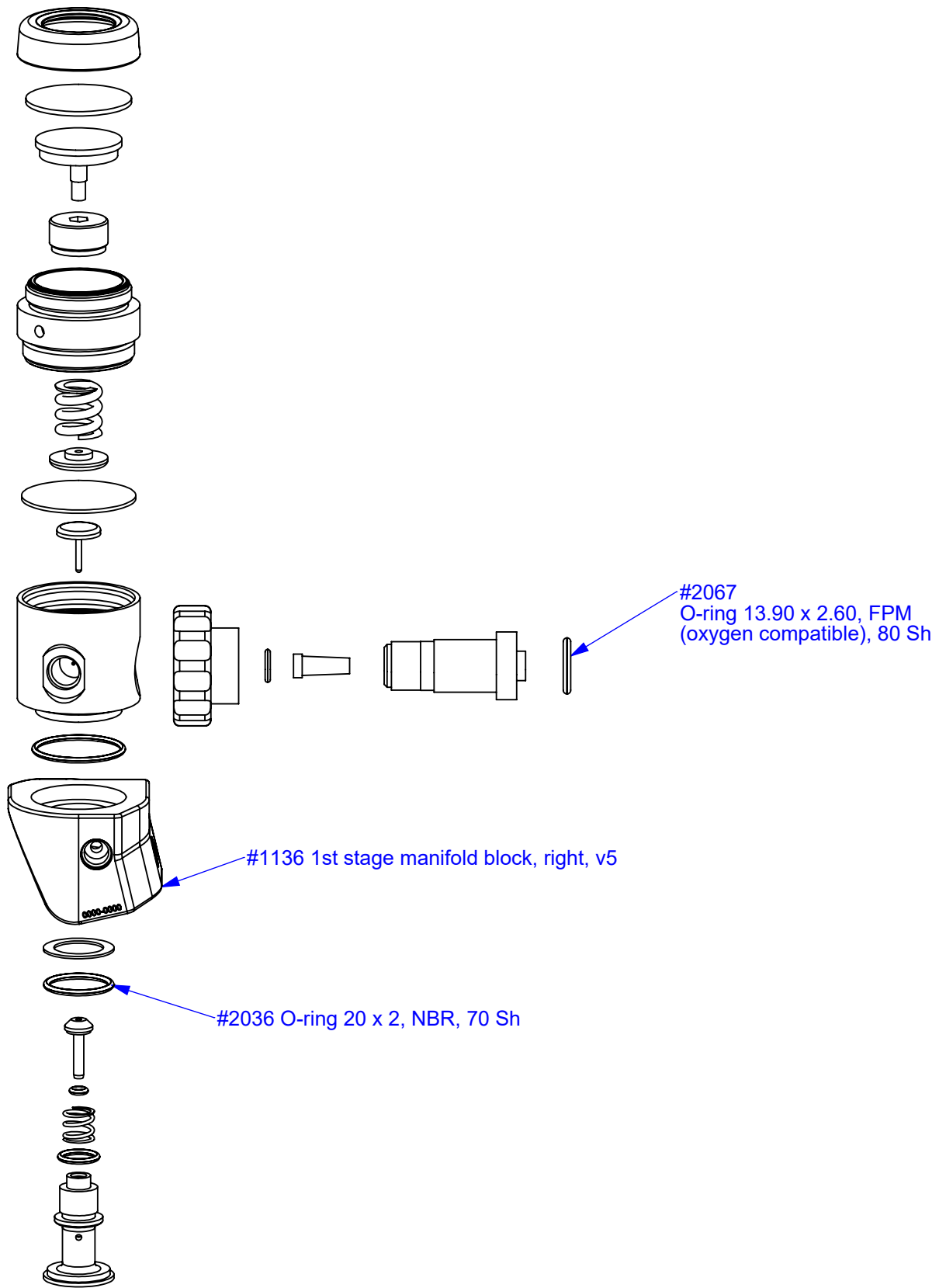
#1532
Blanking plug 3/8-24
(medium pressure)

#2050
O-ring 8.74 x 1.78,
NBR, 70 Sh

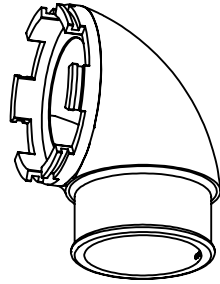
#2026
O-ring 7.65 x 1.78,
NBR, 70 Sh



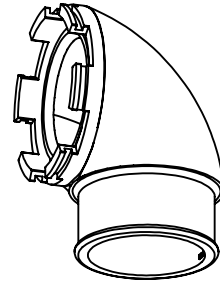
#3025 1st stage regulator Apeks DST with left manifold block, G 5/8 connection



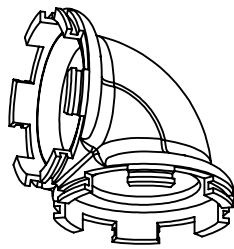
#3114 1st stage regulator Apeks DST with right manifold block, M26x2 connection



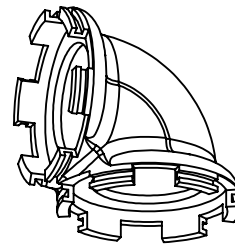
#1580
Mouthpiece, elbow 38.1
mm (1 1/2") — inhale



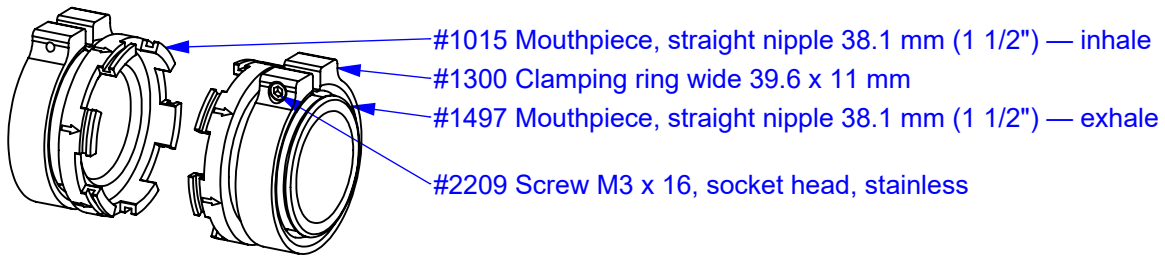
#1581
Mouthpiece, elbow 38.1
mm (1 1/2") — exhale



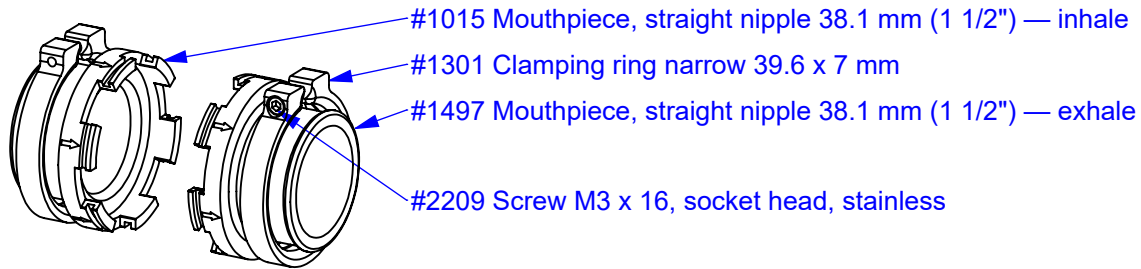
#1857
Extension piece to the
DSV, elbow —
asymmetric



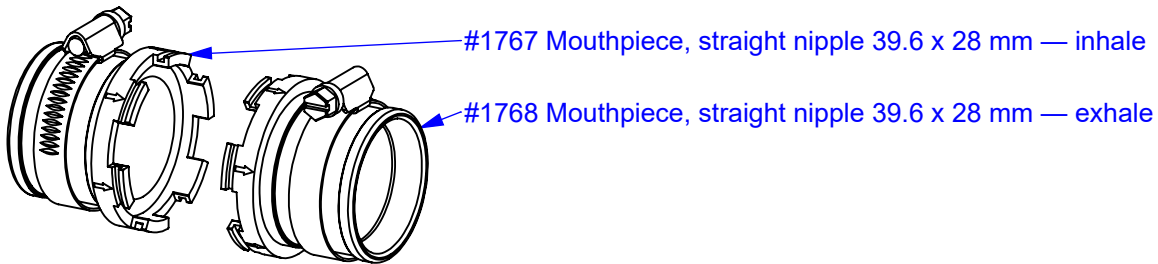
#1858
Extension piece to the
DSV, elbow —
symmetric



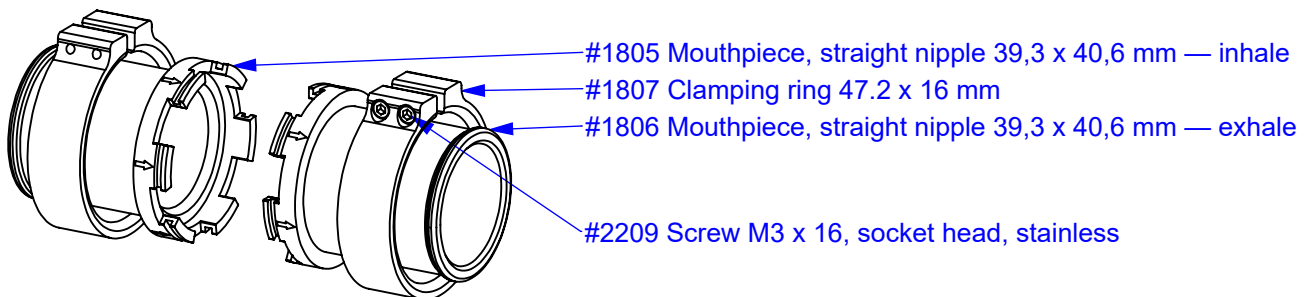
#8176 Set of connectors 38,1 x 18 mm (wide clamp)
 can be used for Liberty and others



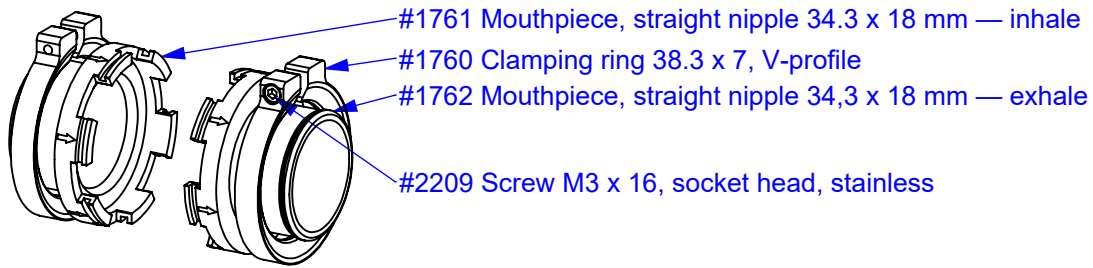
#8175 Set of connectors 38,1 x 18 mm (narrow clamp)
 can be used for Liberty and others



#8164 Set of connectors 41,2 x 28 mm
 can be used for Hollis and others



#8166 Set of connectors 39,3 x 40,6 mm
 can be used for Cooper hoses and others



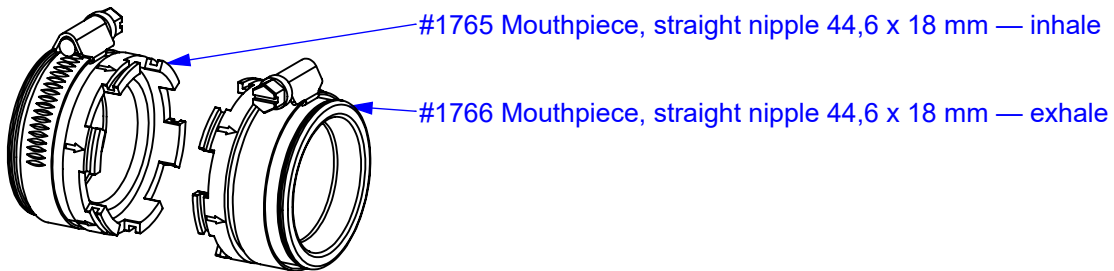
#1761 Mouthpiece, straight nipple 34.3 x 18 mm — inhale

#1760 Clamping ring 38.3 x 7, V-profile

#1762 Mouthpiece, straight nipple 34,3 x 18 mm — exhale

#2209 Screw M3 x 16, socket head, stainless

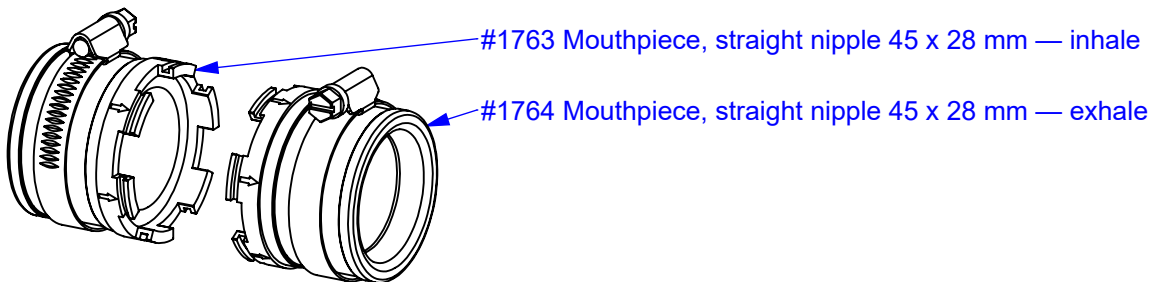
#8162 Set of connectors 34,3 x 18 mm
can be used for JJ and others



#1765 Mouthpiece, straight nipple 44,6 x 18 mm — inhale

#1766 Mouthpiece, straight nipple 44,6 x 18 mm — exhale

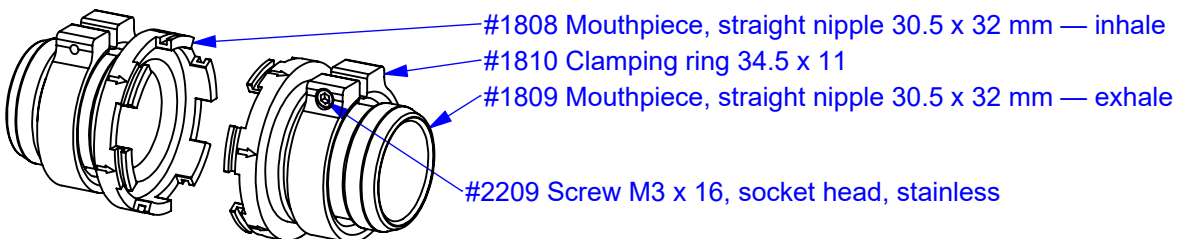
#8165 Set of connectors 44,6 x 18 mm
can be used for rEvo and others



#1763 Mouthpiece, straight nipple 45 x 28 mm — inhale

#1764 Mouthpiece, straight nipple 45 x 28 mm — exhale

#8163 Set of connectors 46,25 x 28 mm
can be used for Meg and others



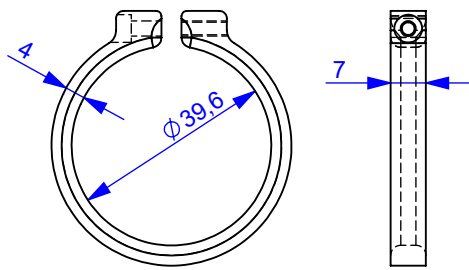
#1808 Mouthpiece, straight nipple 30.5 x 32 mm — inhale

#1810 Clamping ring 34.5 x 11

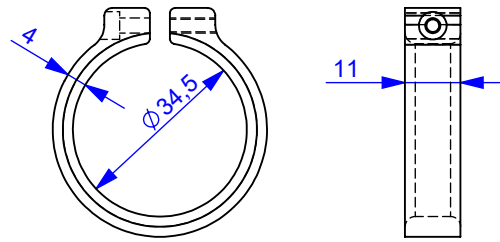
#1809 Mouthpiece, straight nipple 30.5 x 32 mm — exhale

#2209 Screw M3 x 16, socket head, stainless

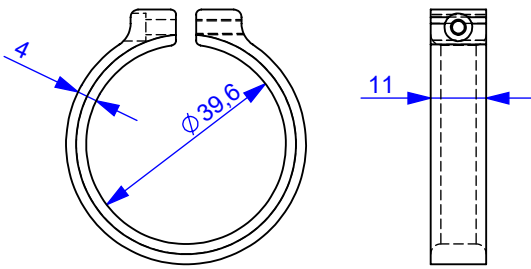
#8161 Set of connectors 30,5 x 32 mm
can be used for Inspiration and others



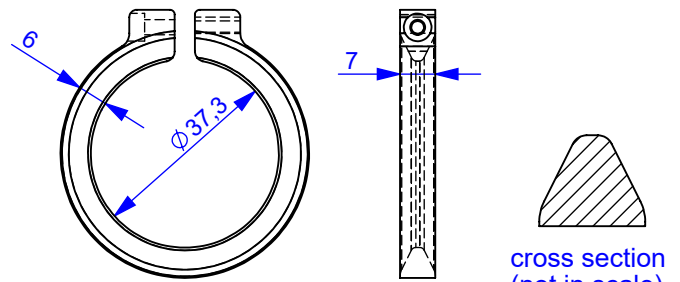
#1301 Clamping ring narrow 39.6 x 7 mm



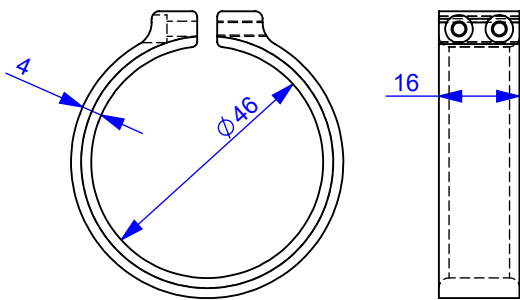
#1810 Clamping ring 34.5 x 11



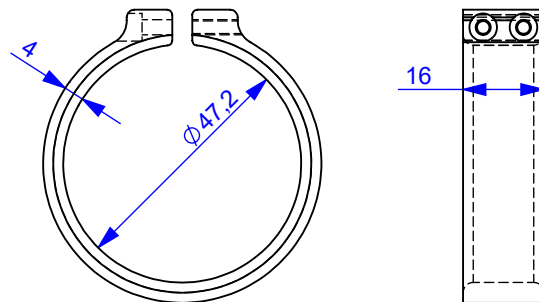
#1300 Clamping ring wide 39.6 x 11 mm



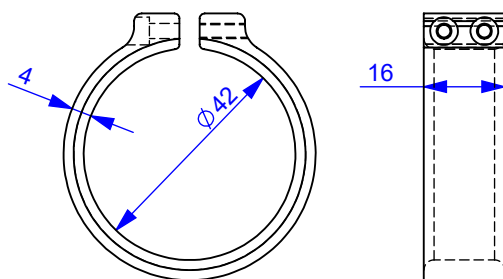
#1760 Clamping ring 38.3 x 7, V-profile



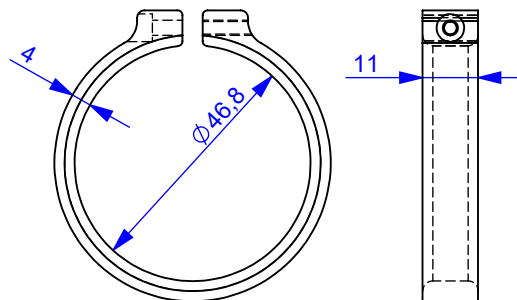
#1807 Clamping ring 47.2 x 16 mm



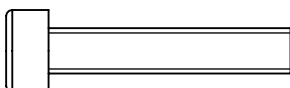
#1757 Clamping ring 47.2 x 16 mm



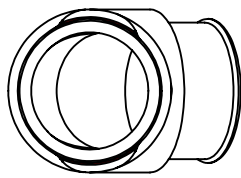
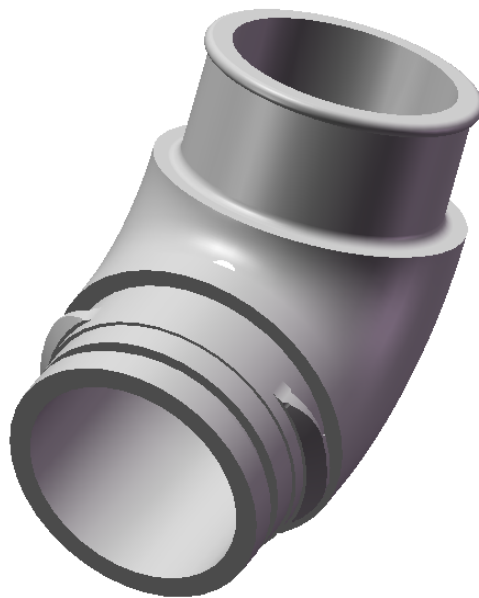
#1759 Clamping ring 42 x 16 mm



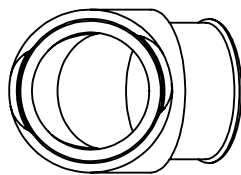
#1758 Clamping ring 46.8 x 11



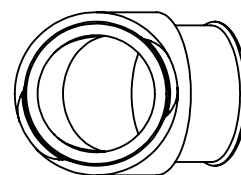
proper screws: #2209 Screw M3 x 16, socket head, stainless



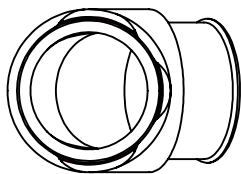
#1084
Elbow 38.1 mm 65°, inhale
(keyway code 1 - two tabs)
(use: Standard, inhale; Sidemount counterlung, both inhale and exhale)



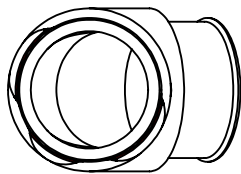
#1848
Elbow 38.1 mm 65°, turned
inhale (keyway code 1T - two
tabs)
(use: Sidemount, inhale)



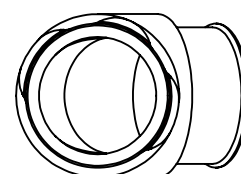
#1814
Elbow 38.1 mm 65°,
reverse inhale (keyway
code 1R - two tabs)
(use: Reverse air flow
direction, inhale)



#1314
Elbow 38.1 mm 65°, exhale
(keyway code 2 - three tabs)
(use: Standard, exhale)

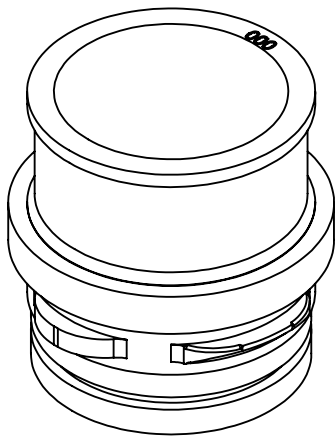


#1849
Elbow 38.1 mm 65°, turned
exhale (keyway code 2T -
three tabs)
(use: Sidemount, exhale)

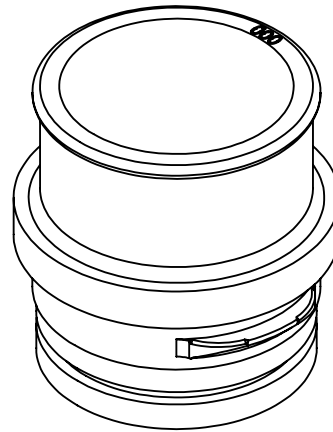


#1815
Elbow 38.1 mm 65°,
reverse exhale (keyway
code 2R - three tabs)
(use: Reverse air flow
direction, exhale)

Hose fittings for alternative routing of corrugated hoses to Air Mass Treatment Unit

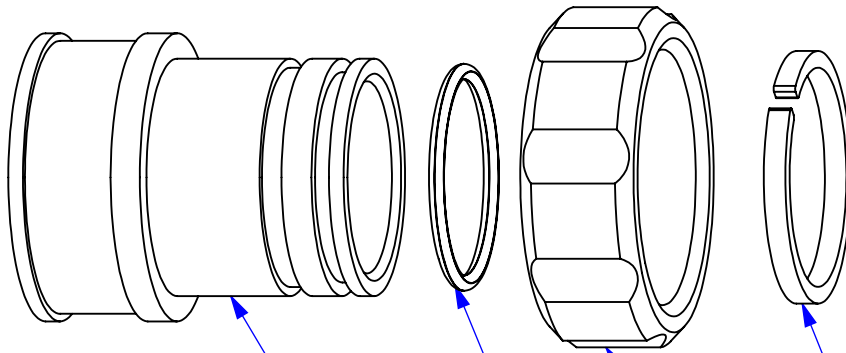


#1583
Hose branch straight 38.1 mm
(1 1/2"), keyway code 2 (three
tabs)



#1582
Hose branch straight 38.1 mm
(1 1/2"), keyway code 1 (two
tabs)

Hose fittings for alternative routing of corrugated hoses to Air Mass Treatment Unit



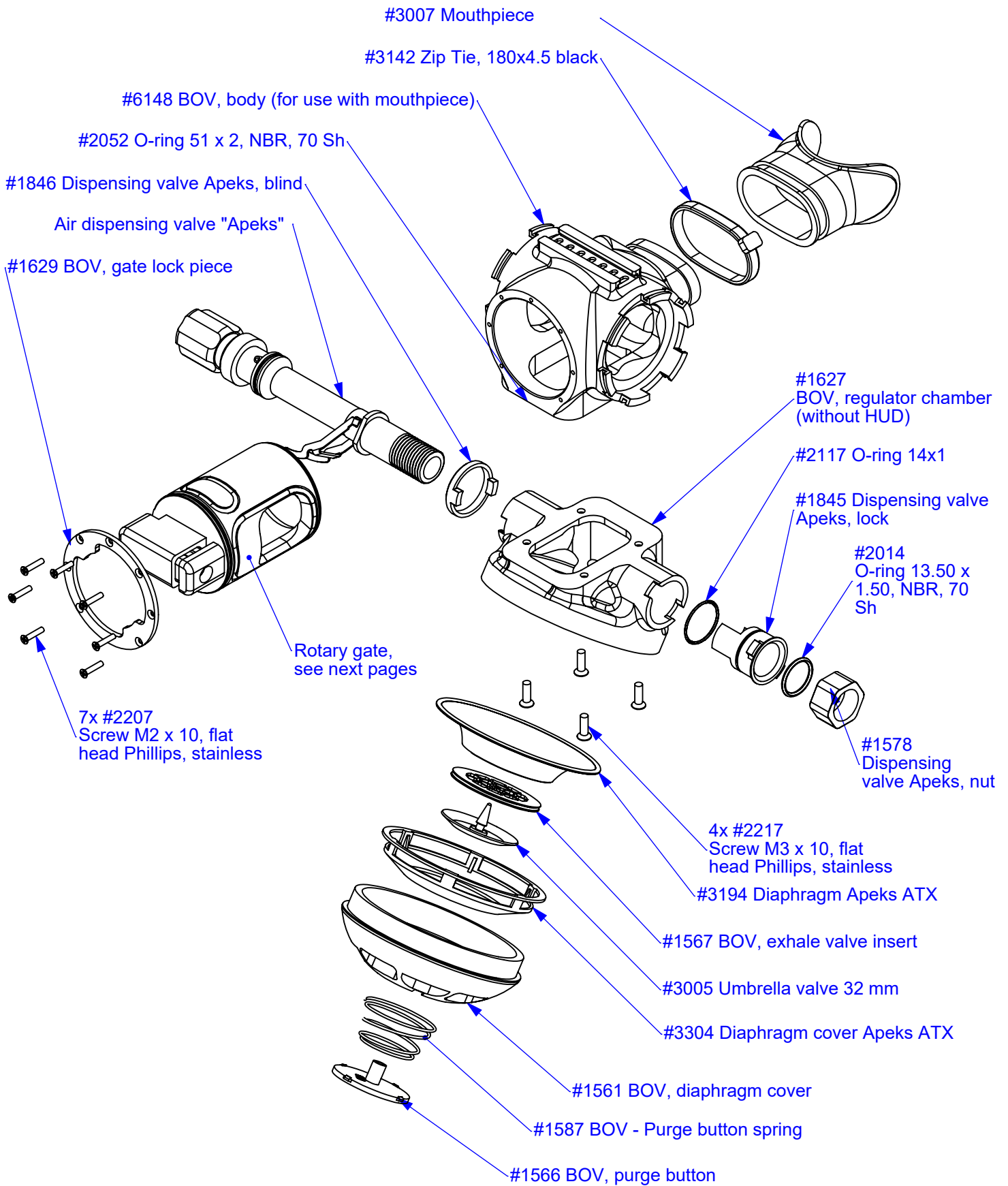
#8160 Divex DMM, connector

#1812 Divex DMM, socket

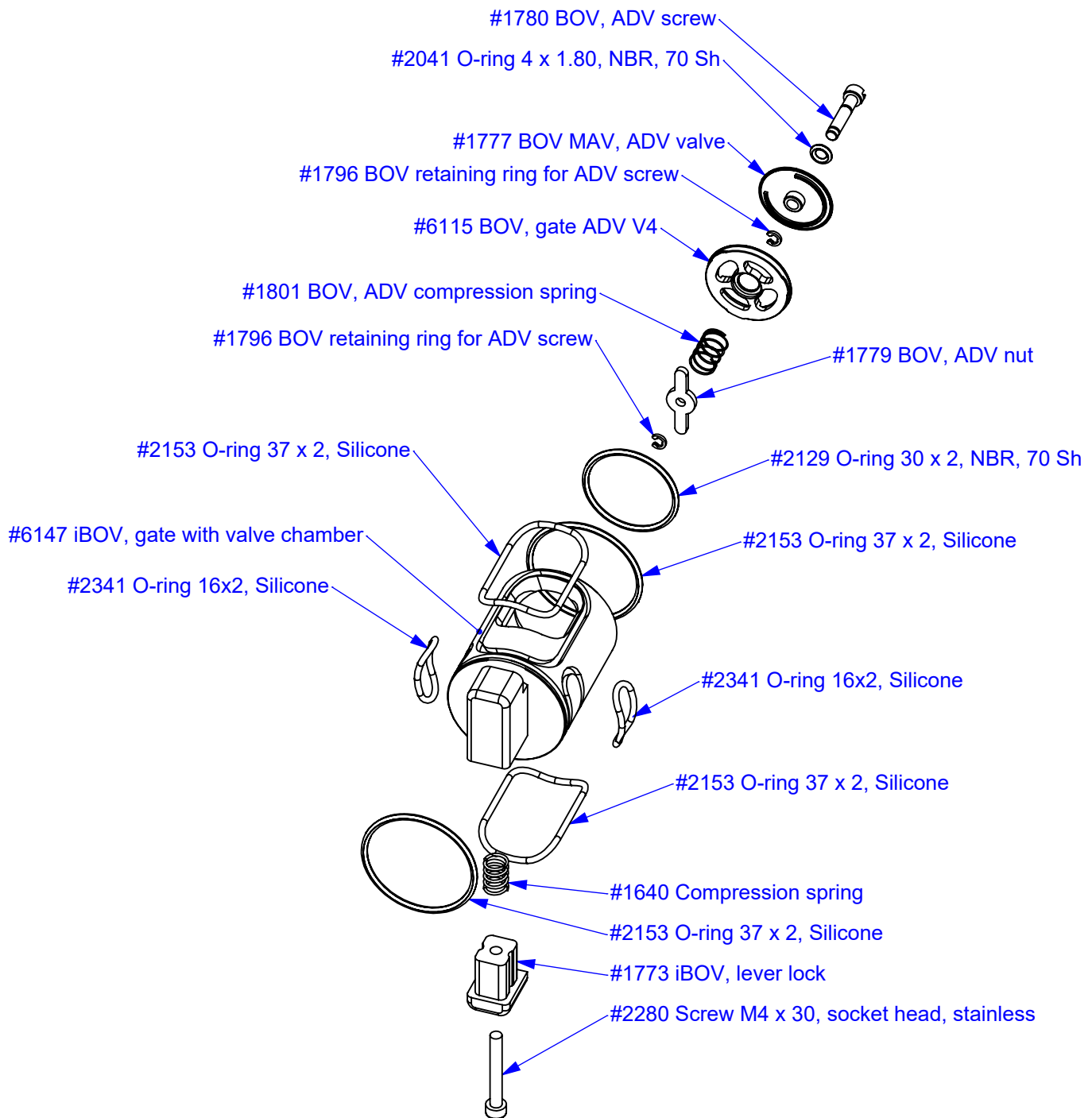
#2110 O-ring 26 x 2, NBR, 70 Sh

#1811 Divex DMM, union nut

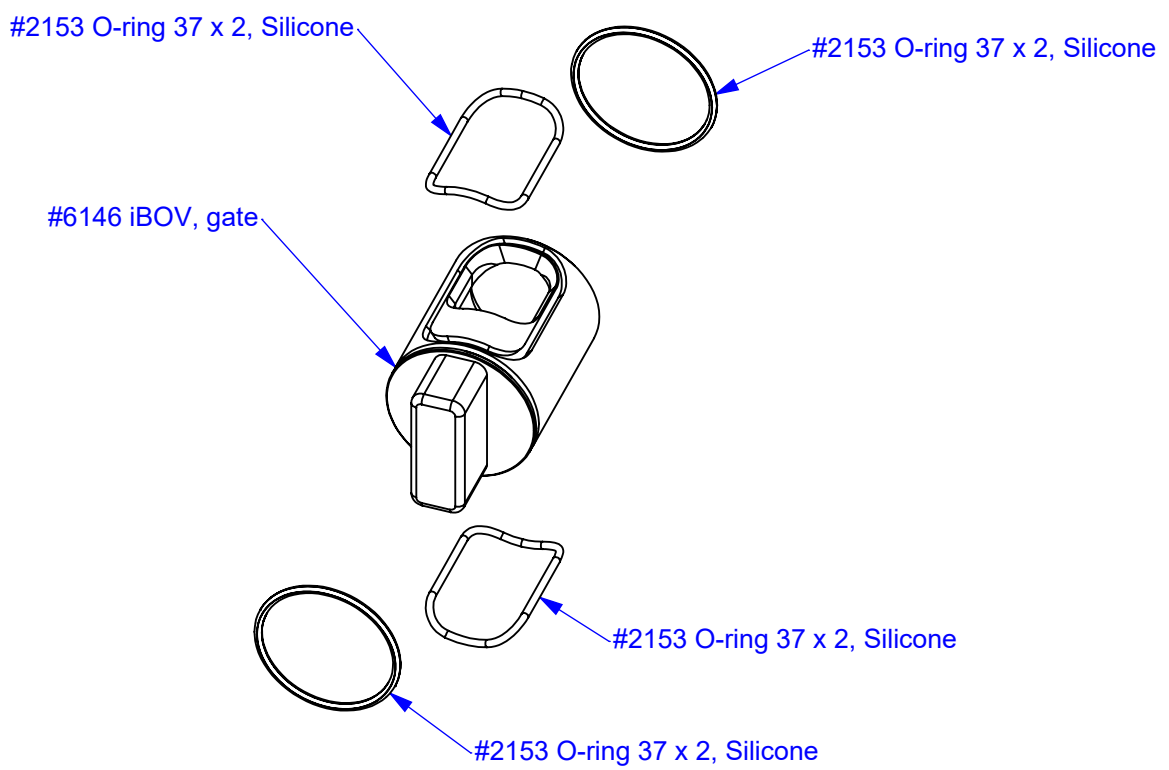
#1813 Divex DMM, retaining ring



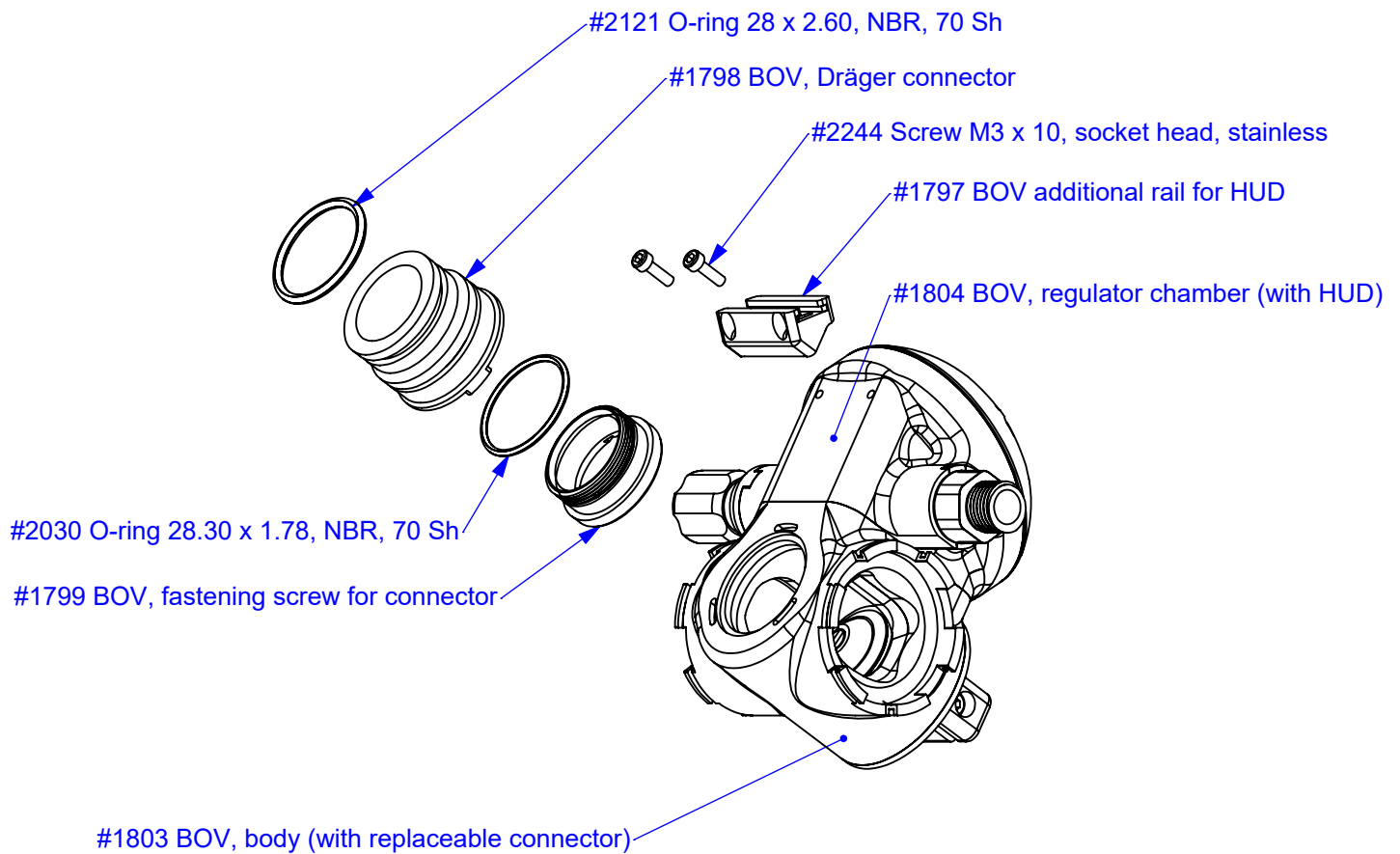
#7078 Bailout valve BOV with ADV, mouthpiece
 BOV versions with and without ADV differ only in type of rotary gate



BOV gate assembly, with ADV

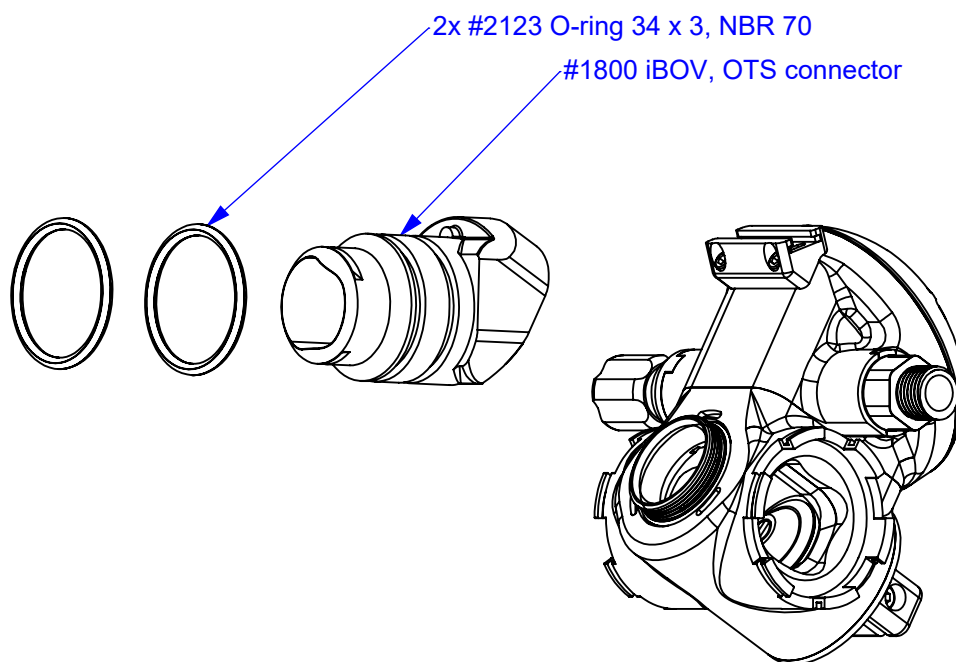


BOV gate assembly, without ADV



Other parts are identical to #7078 Bailout valve BOV with ADV, mouthpiece

#7087 Bailout valve BOV with ADV, connector Dräger
for use with full face mask Dräger Panorama Nova

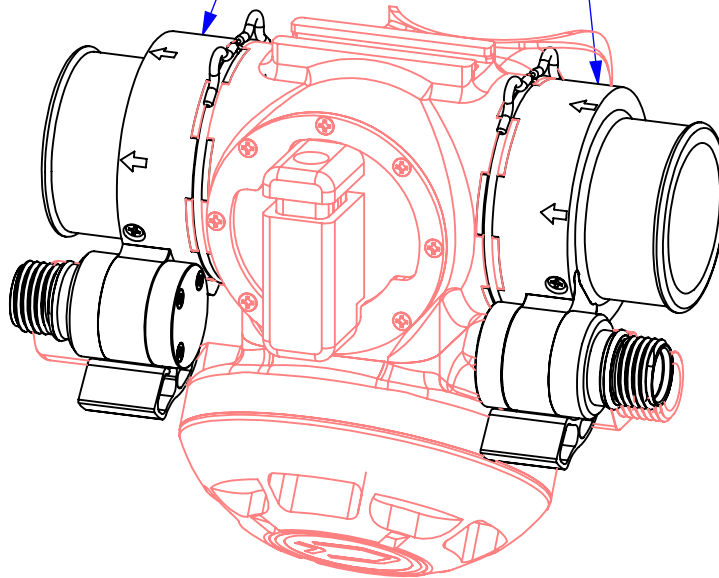


Other parts are identical to #7087 Bailout valve BOV with ADV, connector Dräger

#7089 Bailout valve BOV with ADV, connector OTS

#7076 Manual add valve (MAV) DIL, left

#7075 Manual add valve (MAV) OXY, right

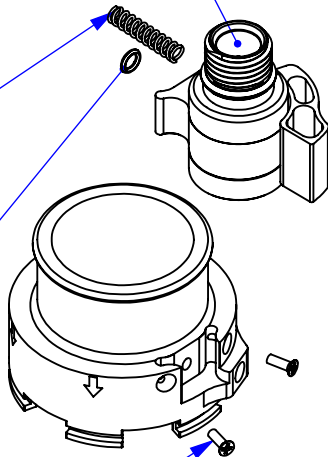


Left valve assembly, axial mount
(see next pages)

1802
Recoil
spring

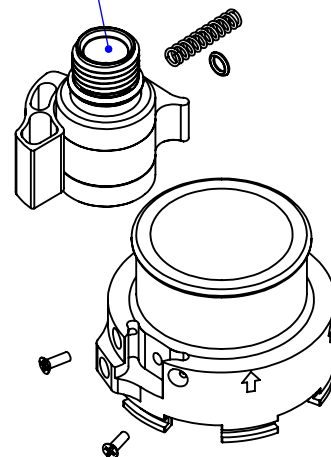
2140
O-ring 3,5x1
NBR 70 Sh

2x #2222
Screw M2 x 6, flat head
Phillips, stainless



BOV manual add valve (MAV) — left,
inhale, diluent (38.1 (1 1/2"))

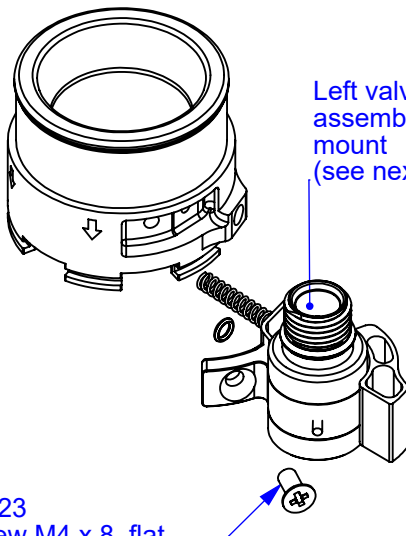
Right valve assembly, axial mount
(see next pages)



BOV manual add valve (MAV) — right,
exhale, oxygen (38.1 (1 1/2"))

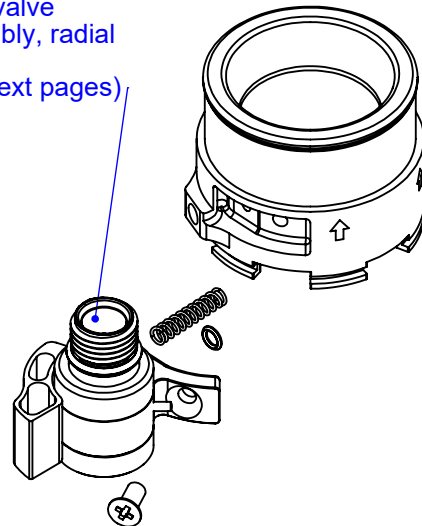
Left valve
assembly, radial
mount
(see next pages)

#2223
Screw M4 x 8, flat
head Phillips, stainless

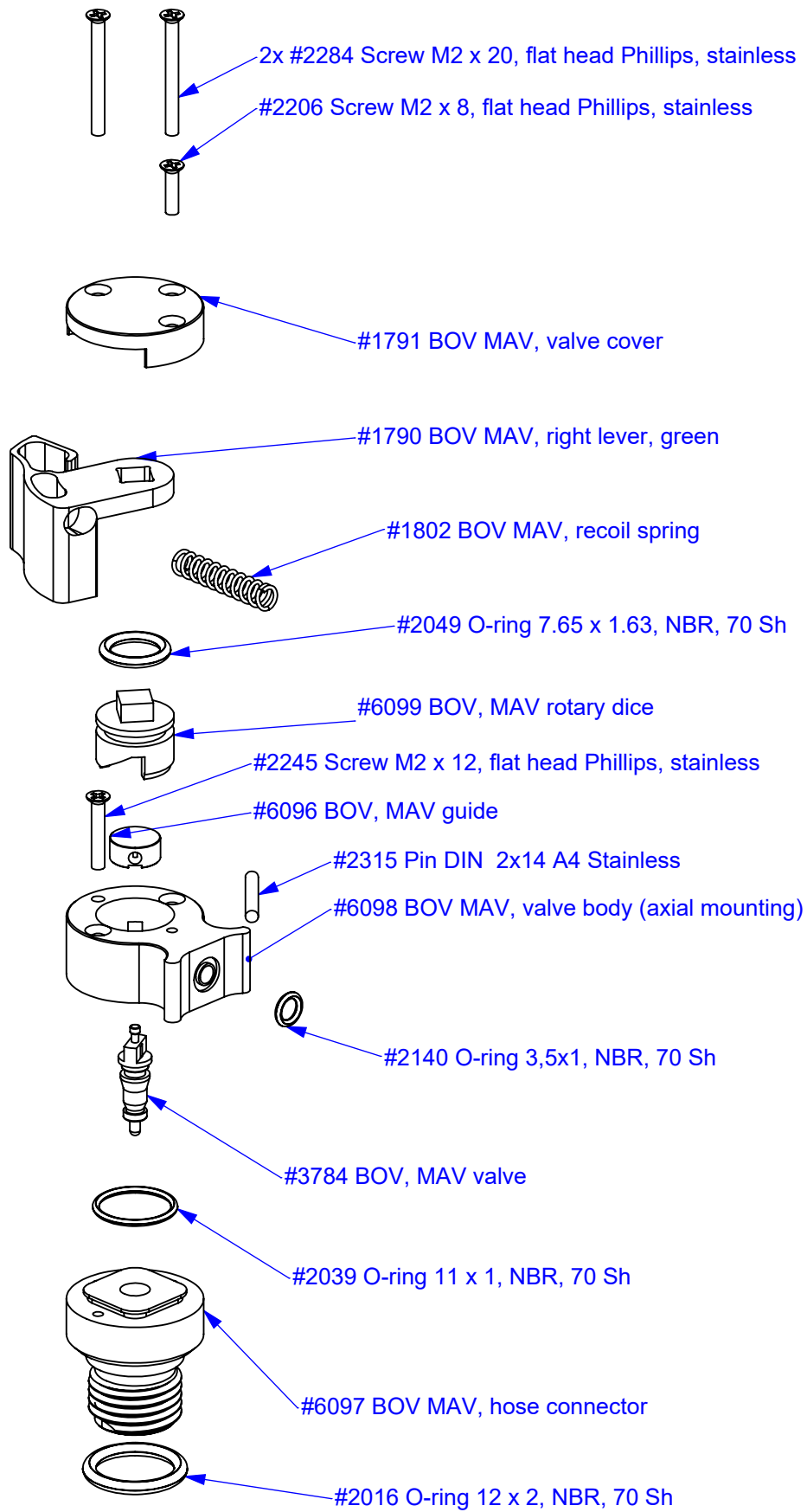


BOV manual add valve (MAV) — left,
inhale, diluent (44.6 x 18)

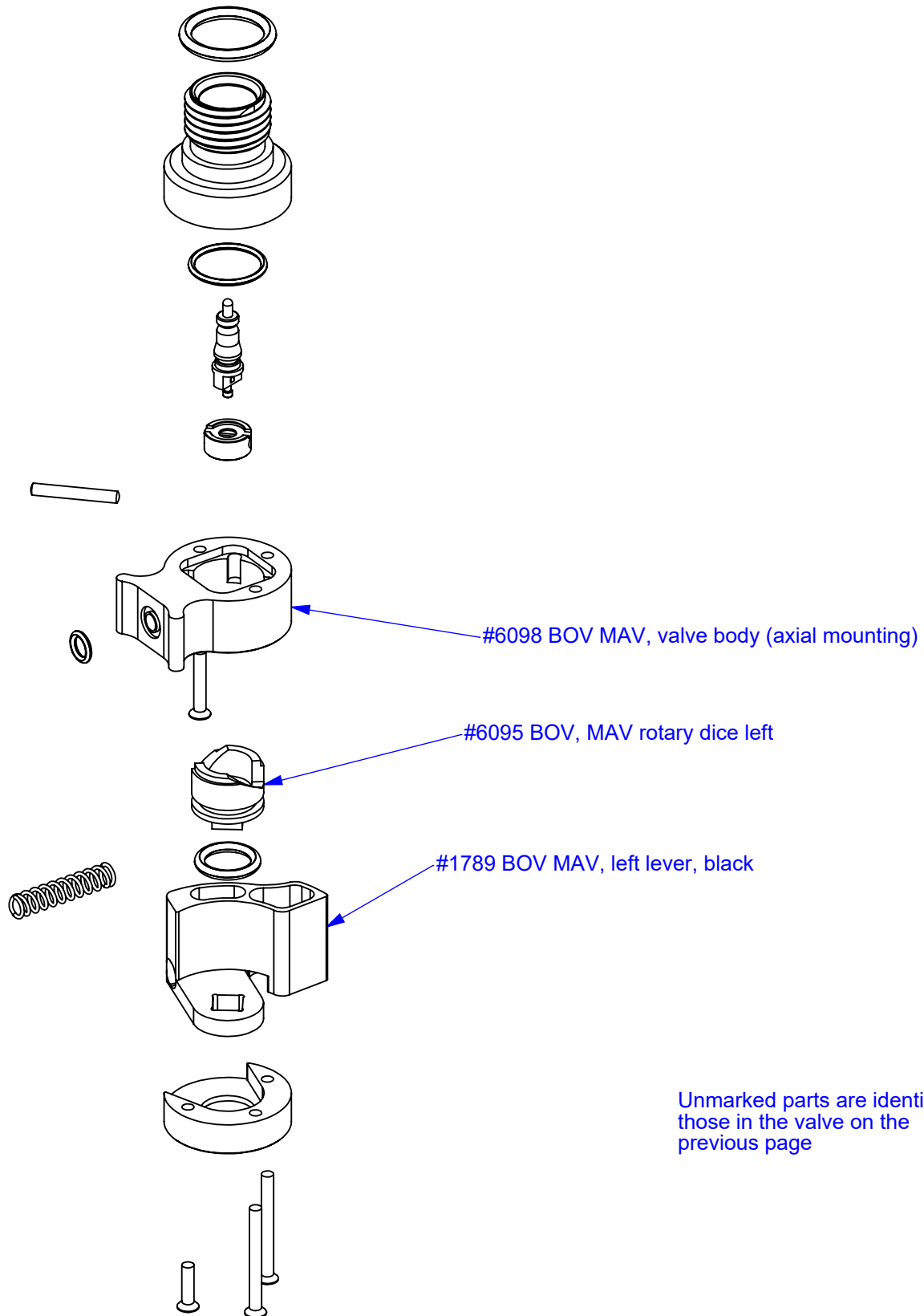
Right valve
assembly, radial
mount
(see next pages)



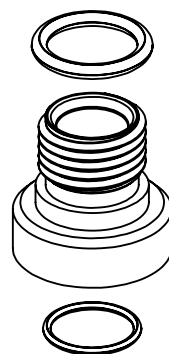
BOV manual add valve (MAV) — right,
exhale, oxygen (44.6 x 18)



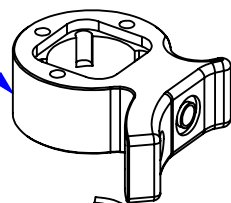
BOV MAV, right valve assembly, axial mount



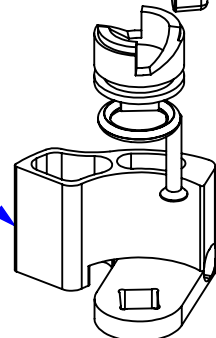
BOV MAV, left valve assembly, axial mount



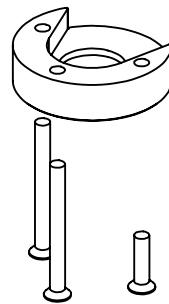
#6180 BOV MAV, valve body - exhale



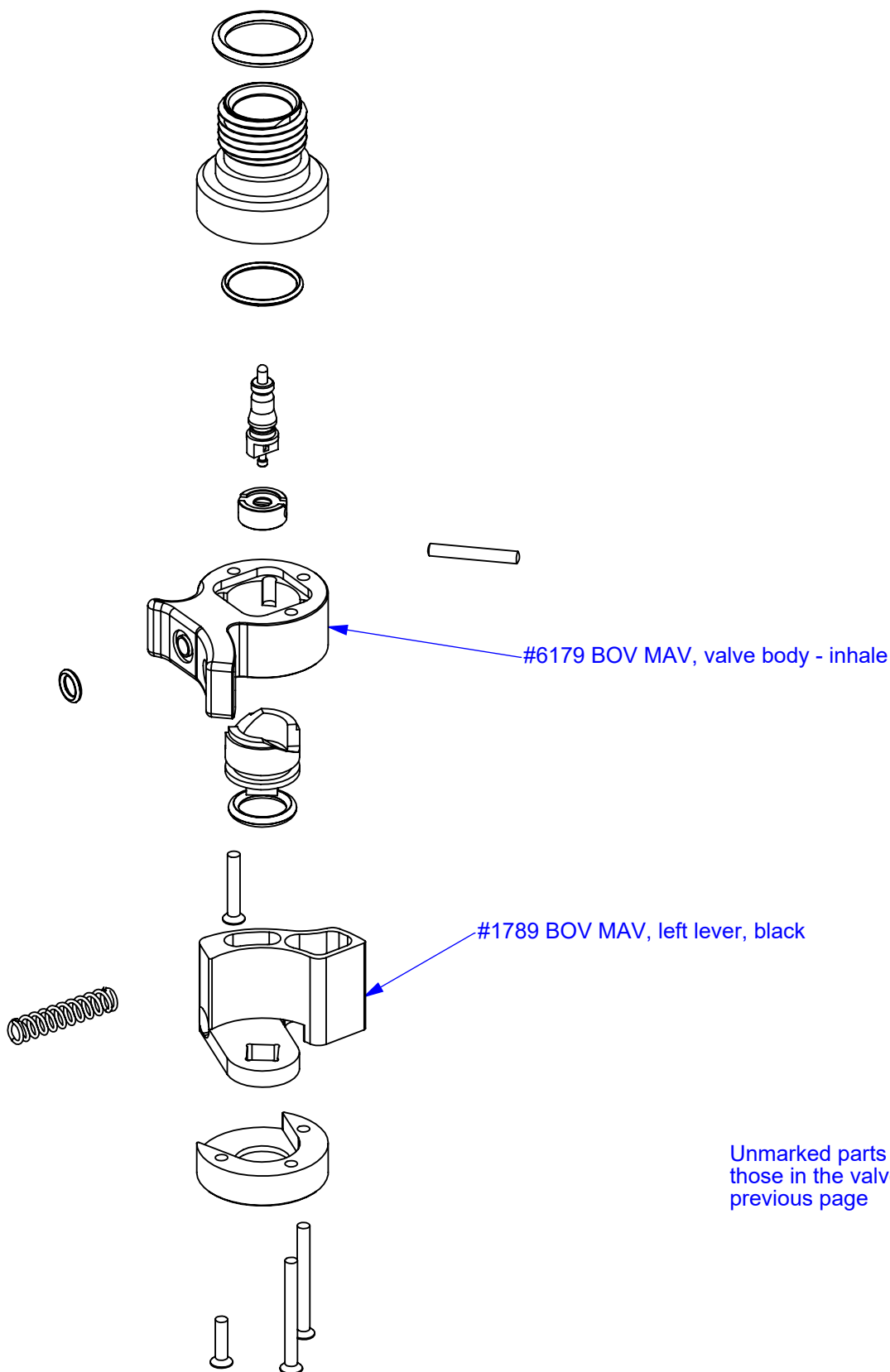
#1790 BOV MAV, right lever, green



Unmarked parts are identical to those in the valve on the previous page



BOV MAV, right valve assembly, radial mount



Unmarked parts are identical to those in the valve on the previous page

BOV MAV, left valve assembly, radial mount



#1790 BOV MAV, right lever, green



#1789 BOV MAV, left lever, black



#1930 BOV MAV, right lever, short, green



#1929 BOV MAV, left lever, short, black



#1932 BOV MAV, right lever, black



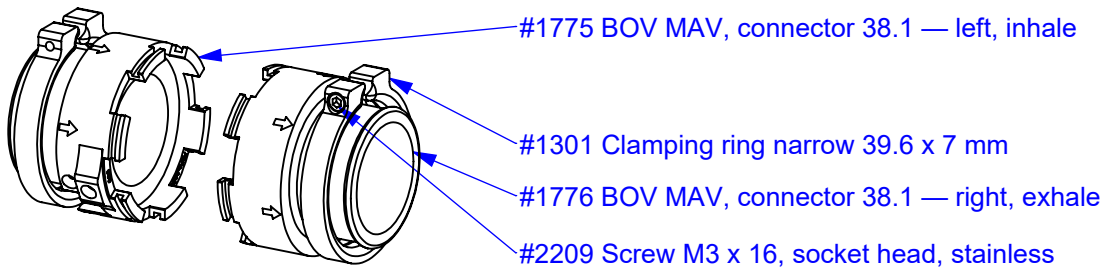
#1931 BOV MAV, left lever, green



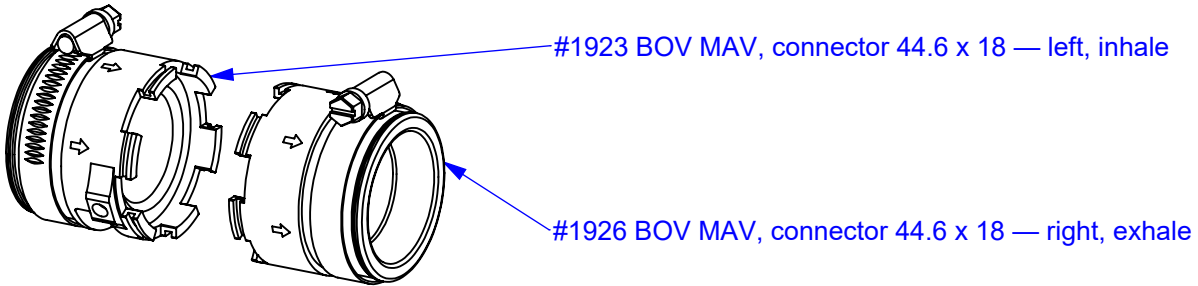
#1933 BOV MAV, right lever, short, black



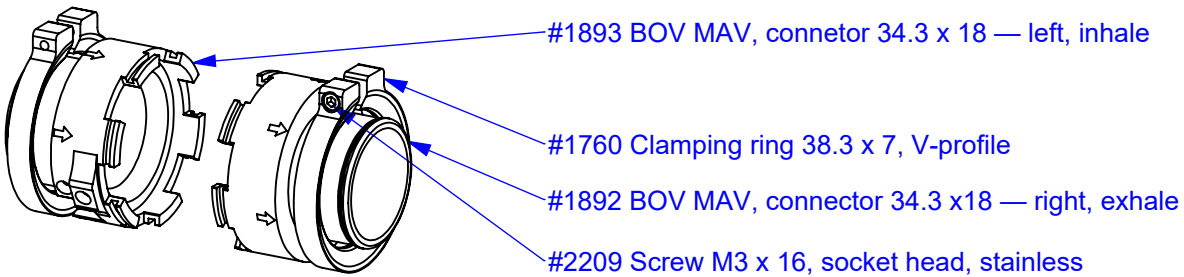
#1934 BOV MAV, left lever, short, green



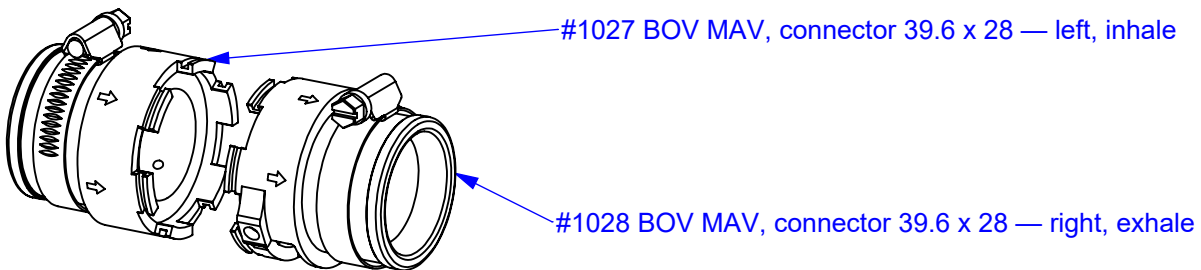
MAV connectors 36,1 x 18 mm (narrow clamp)
can be used for Liberty and others



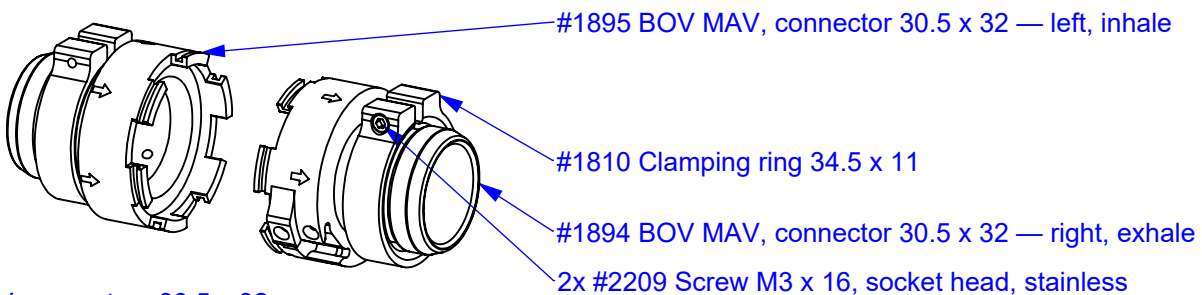
MAV connectors 44,6 x 18 mm
can be used for rEvo and others



MAV connectors 34,3 x 18 mm
can be used for JJ and others



MAV connectors 41,2 x 28 mm
can be used for Hollis and others



MAV connectors 30,5 x 32 mm
can be used for Inspiration and others

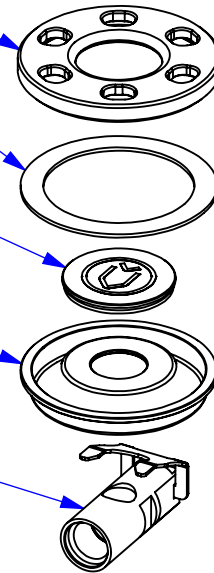
#1786 Diaphragm ADV, diaphragm cover

#1784 Diaphragm ADV, diaphragm washer

#1785 Diaphragm ADV, diaphragm center

#3212 Diaphragm ADV, diaphragm

Dispensing valve,
see next pages.



#1781 Diaphragm ADV T-piece, body
For other variants of ADV body see next pages.

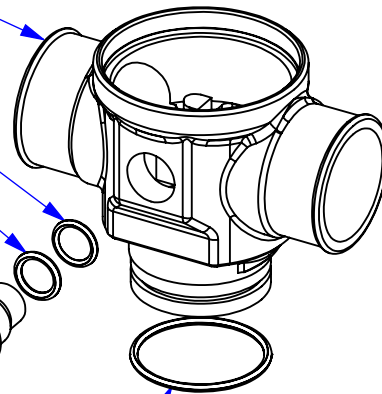
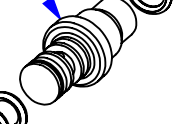
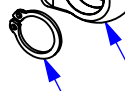
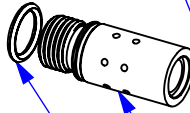
#2089 O-ring 10 x 1.80, FPM, 80 Sh

#2044 O-ring 10 x 2, NBR, 70 Sh

#1783 Diaphragm ADV (T-piece), banjo connector

2x #2375 O-ring 7.6 x 2.4, NBR, 90 Sh

#2042 O-ring 8.10 x 1.60, NBR, 70 Sh



#2053 O-ring 32 x 2, NBR, 70 Sh

#1919 Connector O2, banjo, 9/16-18 UNF

#3011 Retaining ring DIN 471, shaft Ø12 mm

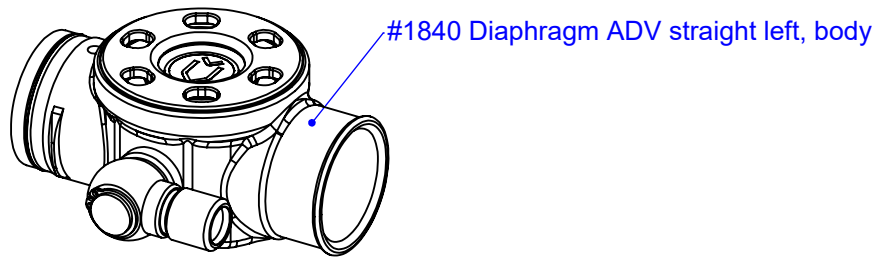
#1920 Closeable connector UNF, stem

#2016 O-ring 12 x 2, NBR, 70 Sh

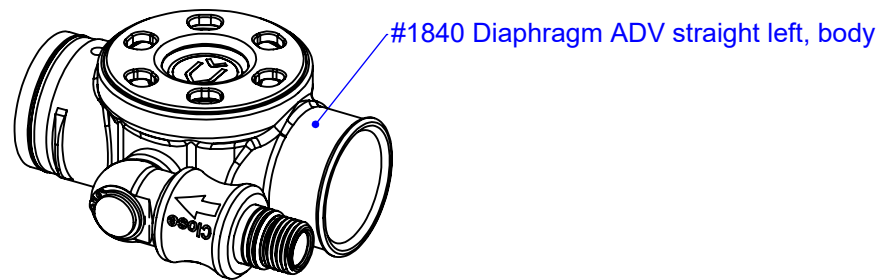
#1322 Closeable connector 2nd stage 9/16-18 UNF, ring

3x #2034 O-ring 16 x 2, NBR, 70 Sh

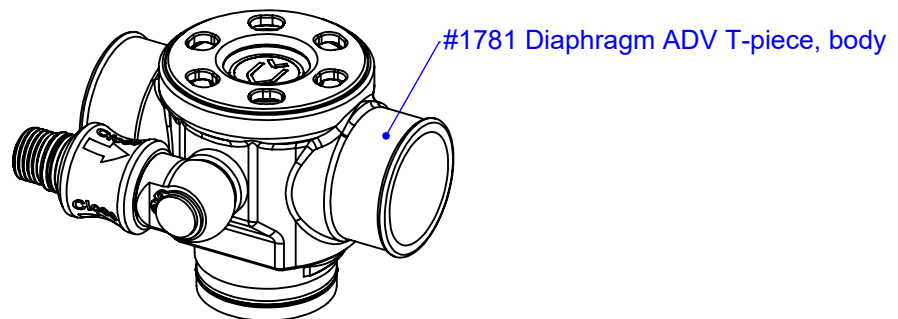
#7082 Diaphragm ADV T-piece



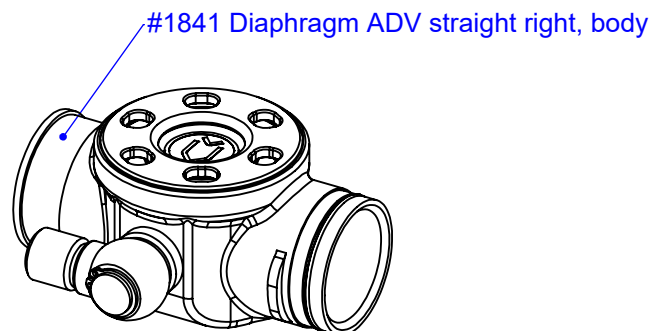
#7094 Diaphragm ADV straight left



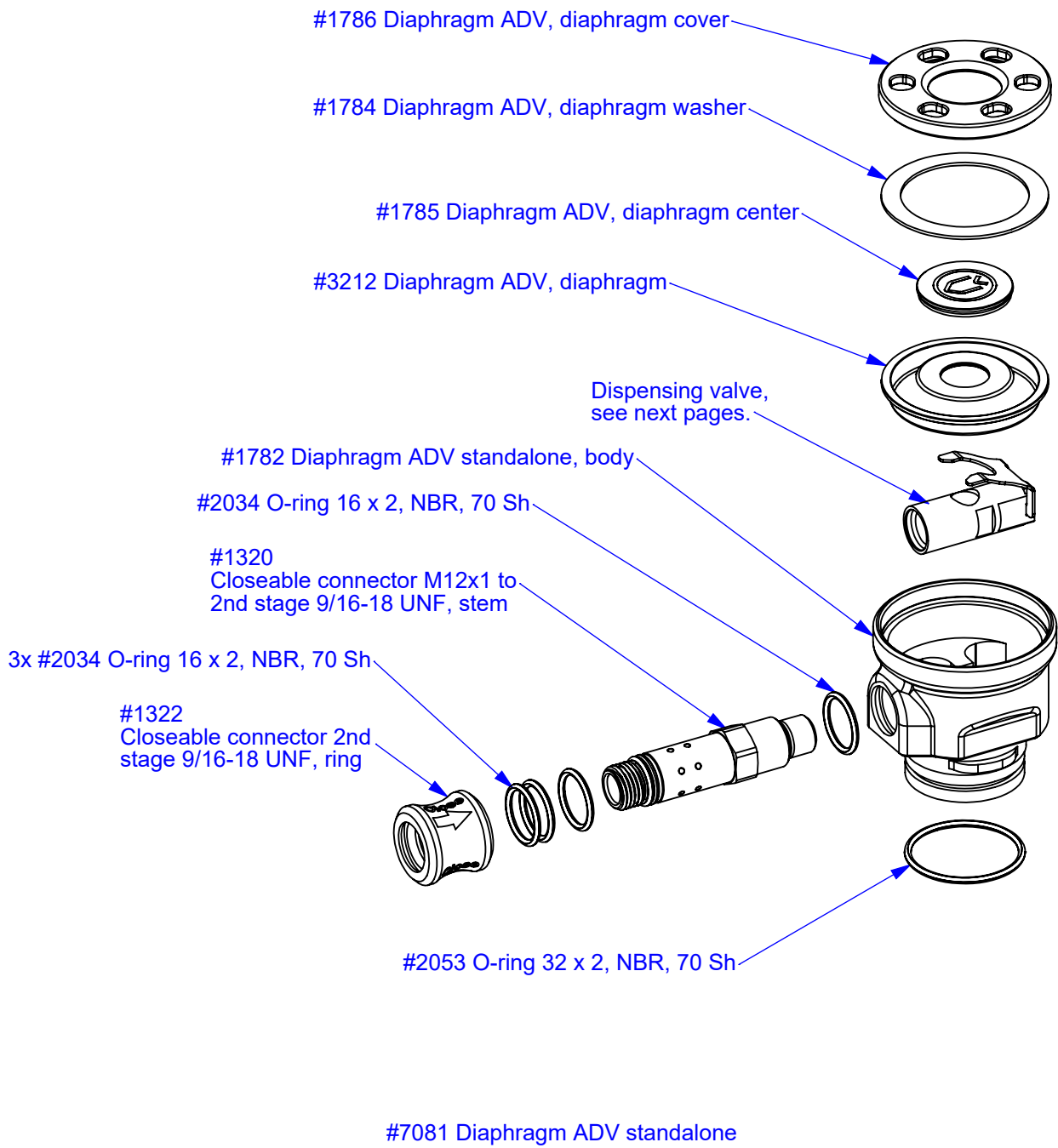
#7206 Diaphragm ADV straight left

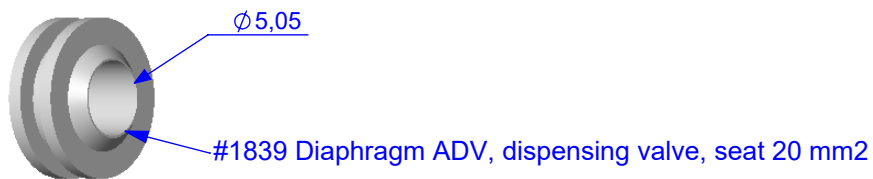
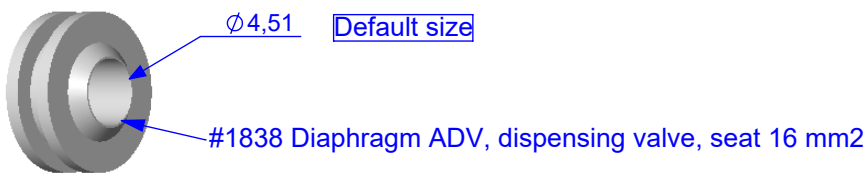
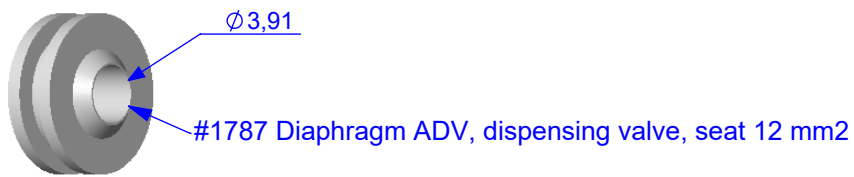


#7082 Diaphragm ADV T-piece

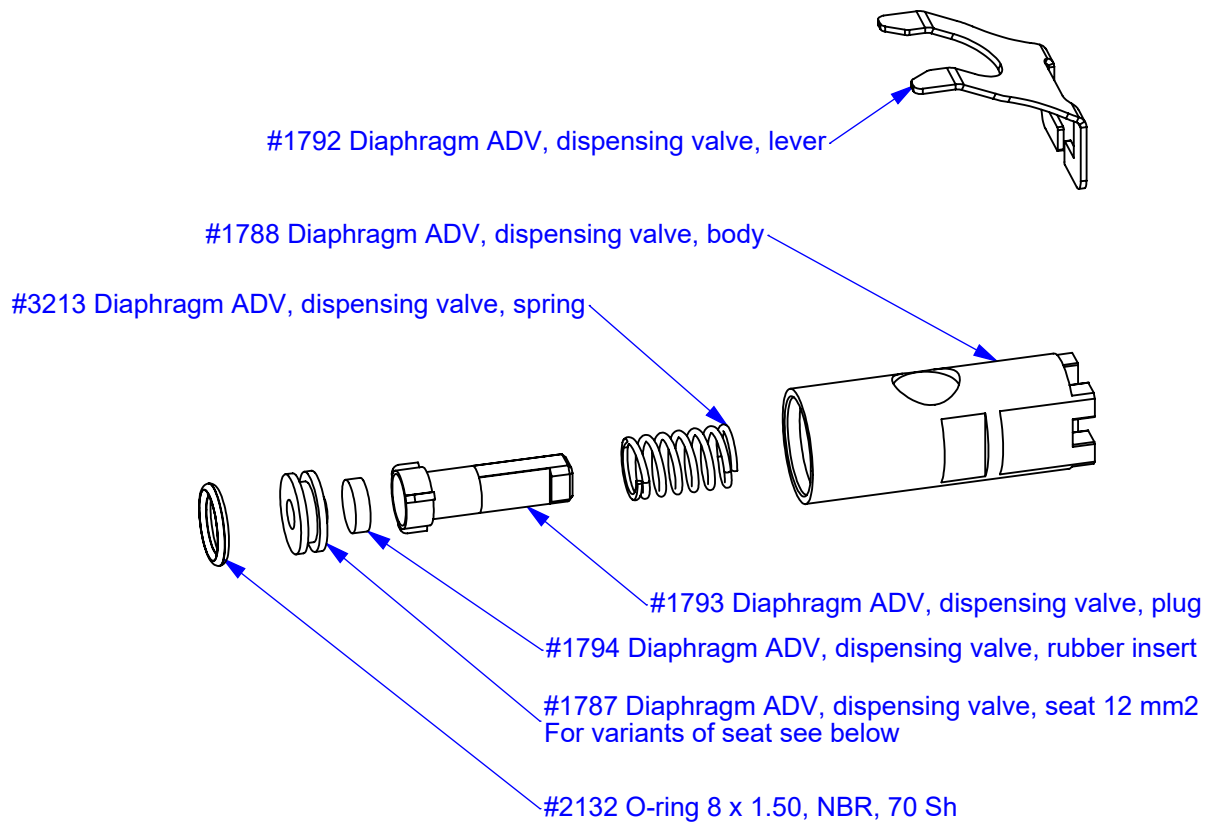


#7111 Diaphragm ADV straight right

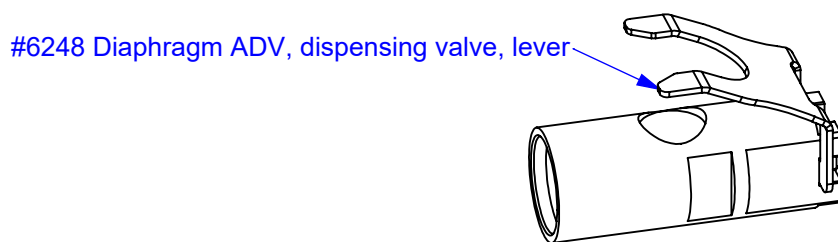




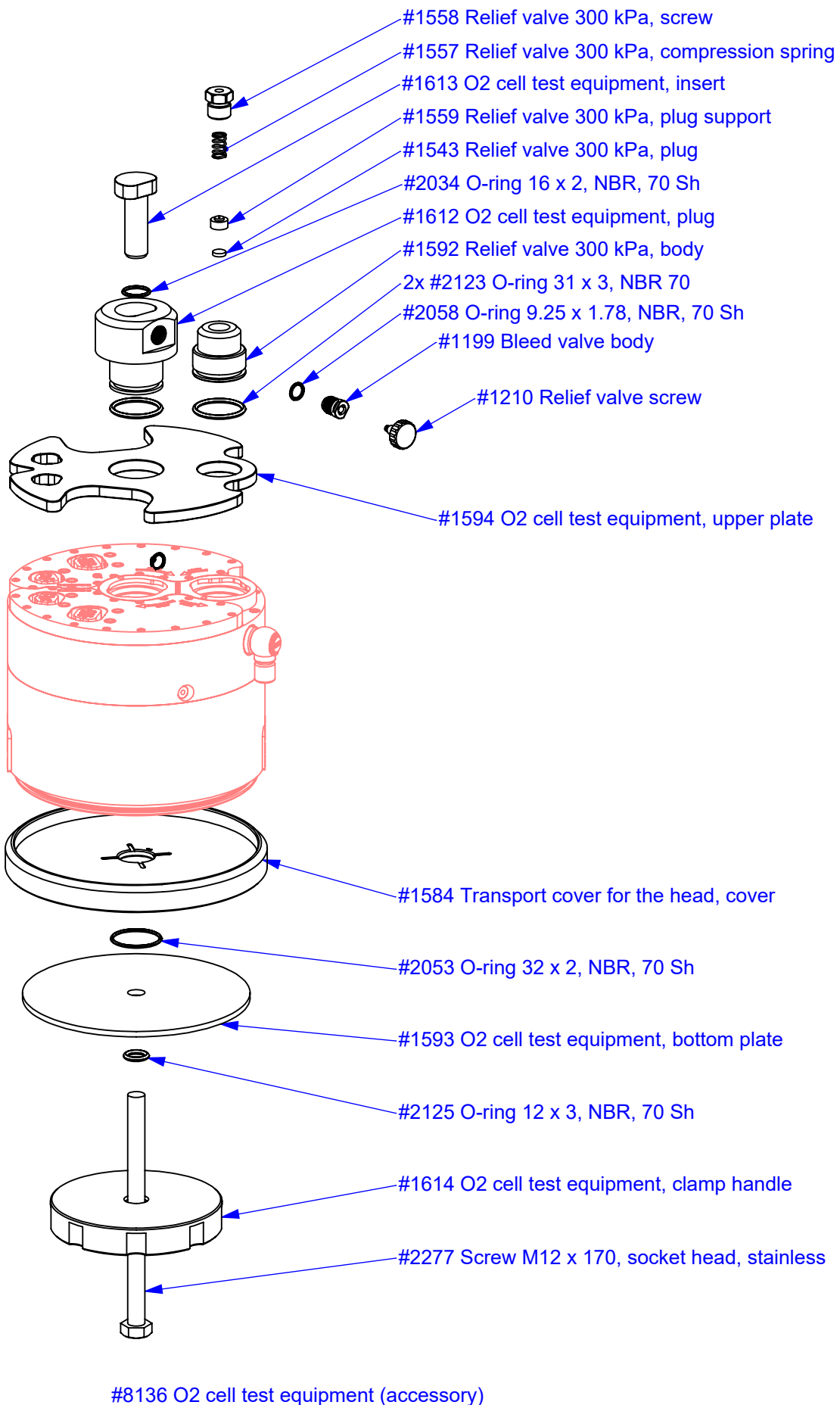
For the usage of each size of the seats see Service manual.



#7083 Diaphragm ADV, dispensing valve (accessory)

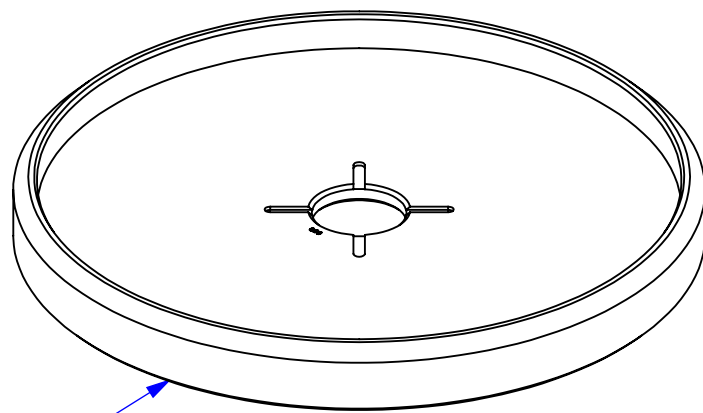


#7310 Diaphragm ADV, dispensing valve (accessory) for ADV T-piece





Transport cover for the head (accessory)



#1584 Transport cover for the head, cover

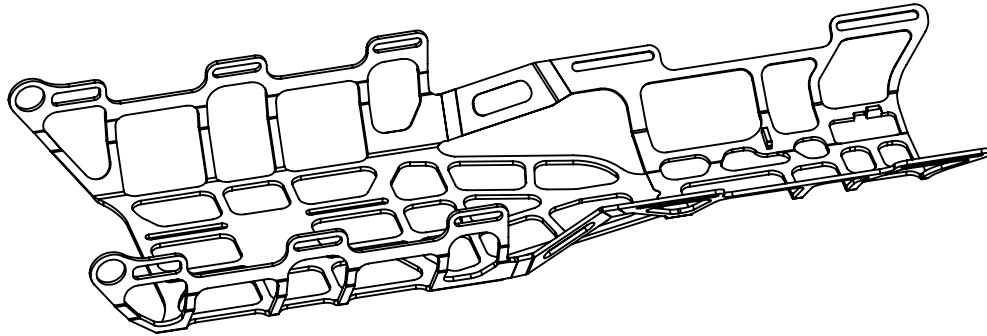
#2022 O-ring 22 x 2

#1585 Transport cover for the head, stopper

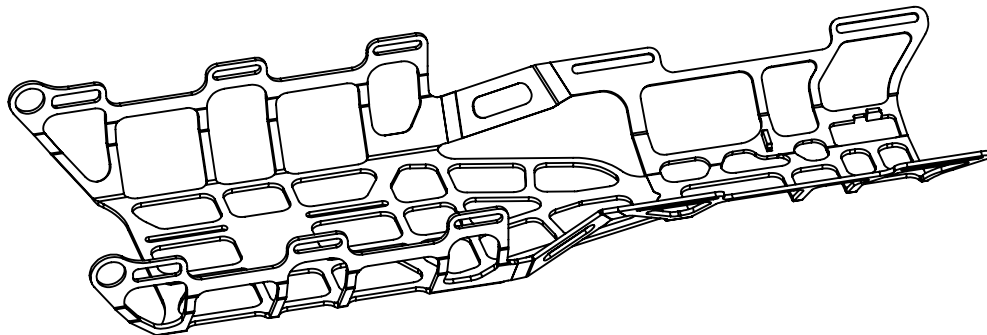
#8111 Transport cover for the head (accessory)



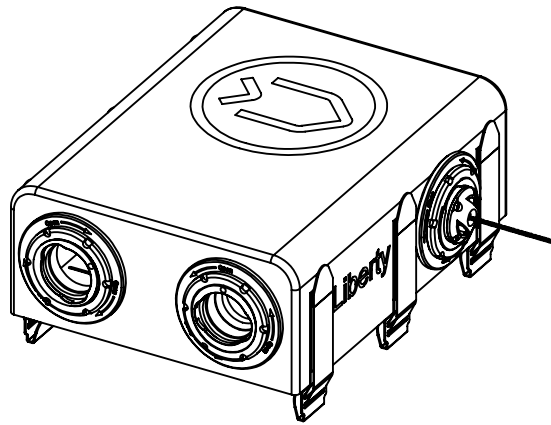
CCR Liberty sidemount
Spare parts



#1901 Sidemount CCR, rack - stainless
(weight 1.2 kg (2.6 lb))
Not recommended to use with US-DOT compliant tanks

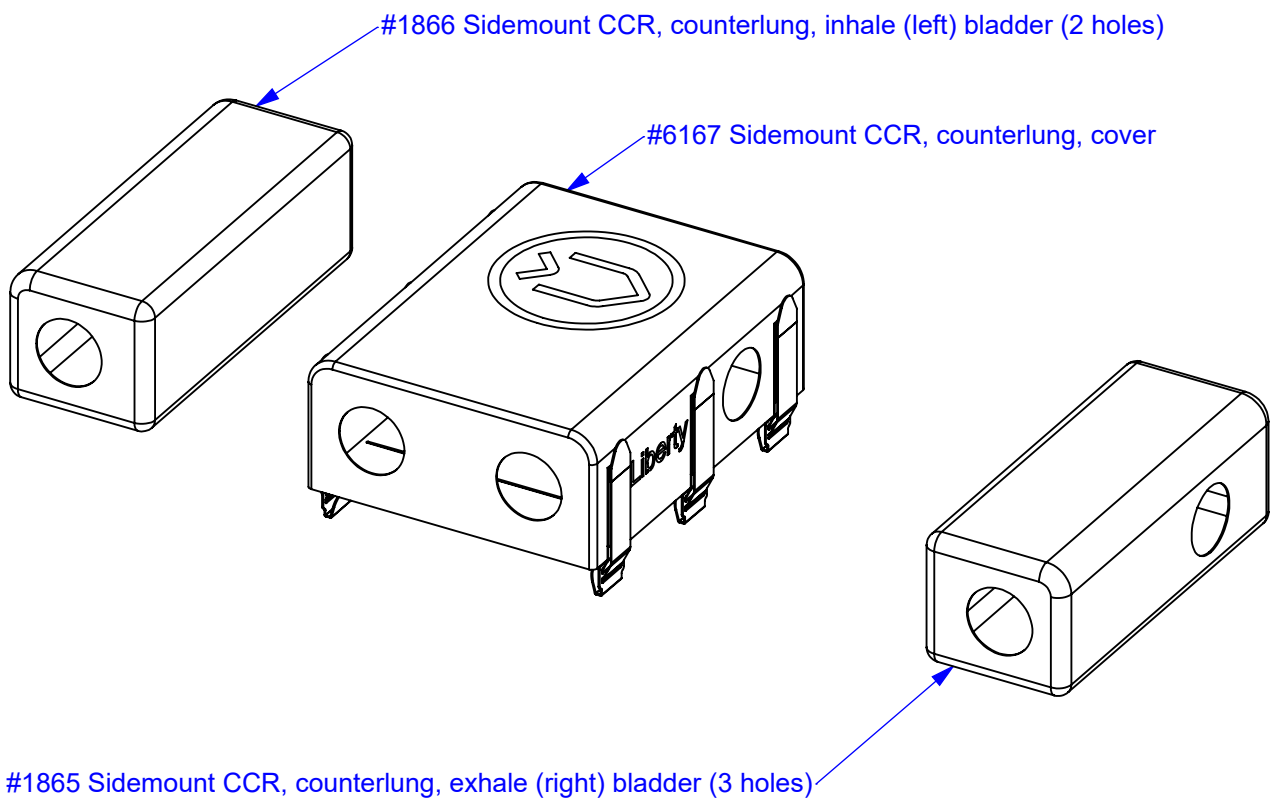


#1910 Sidemount CCR, rack - titanium
(weight 0.7 kg (1.55 lb))



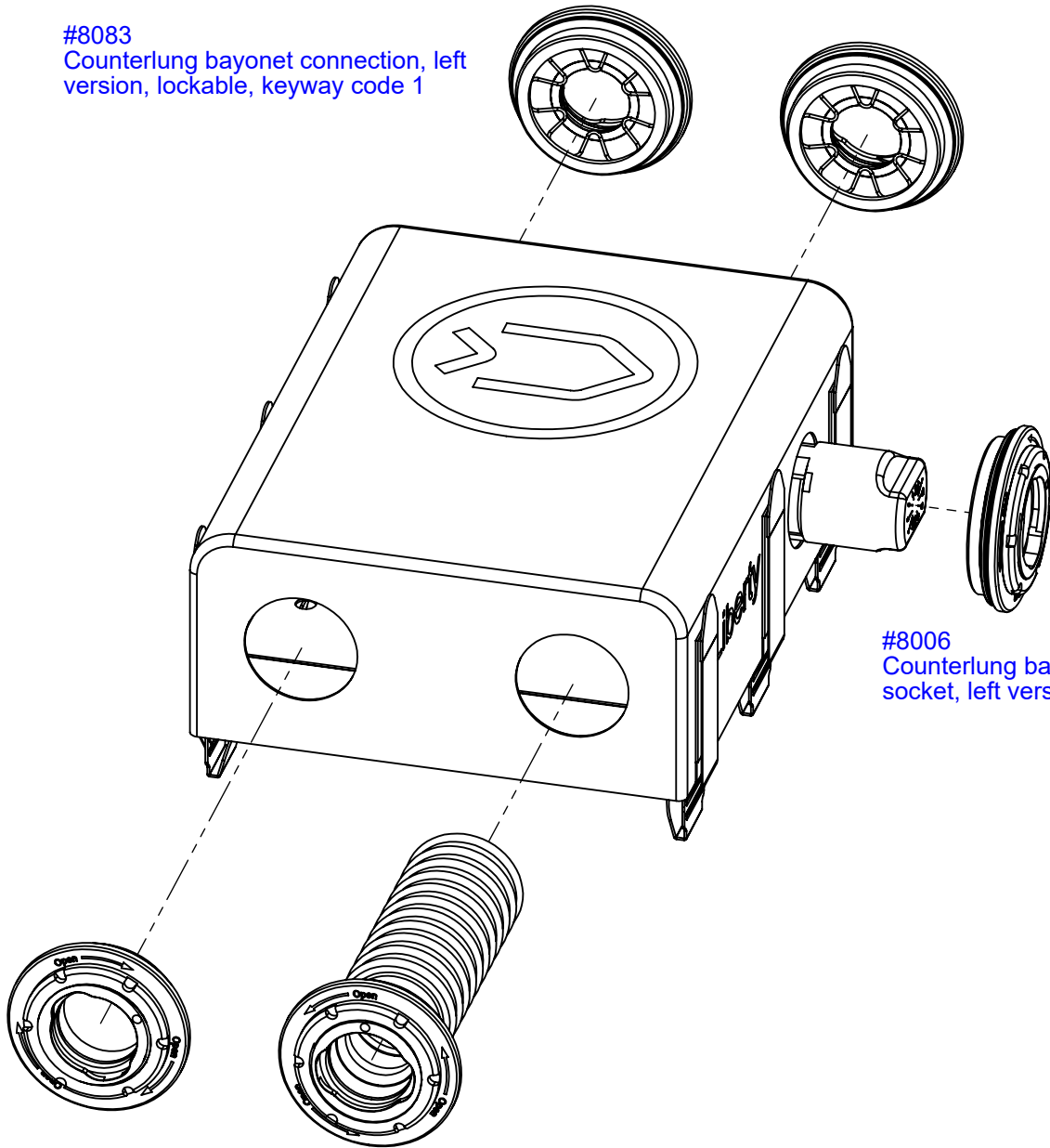
#7095 Sidemount counterlung, complete for #8167 Low profile dump valve

#7299 Sidemount counterlung, complete for #8035 Overpressure valve



#8083
Counterlung bayonet connection, left
version, lockable, keyway code 1

#8083
Counterlung bayonet connection, left
version, lockable, keyway code 1

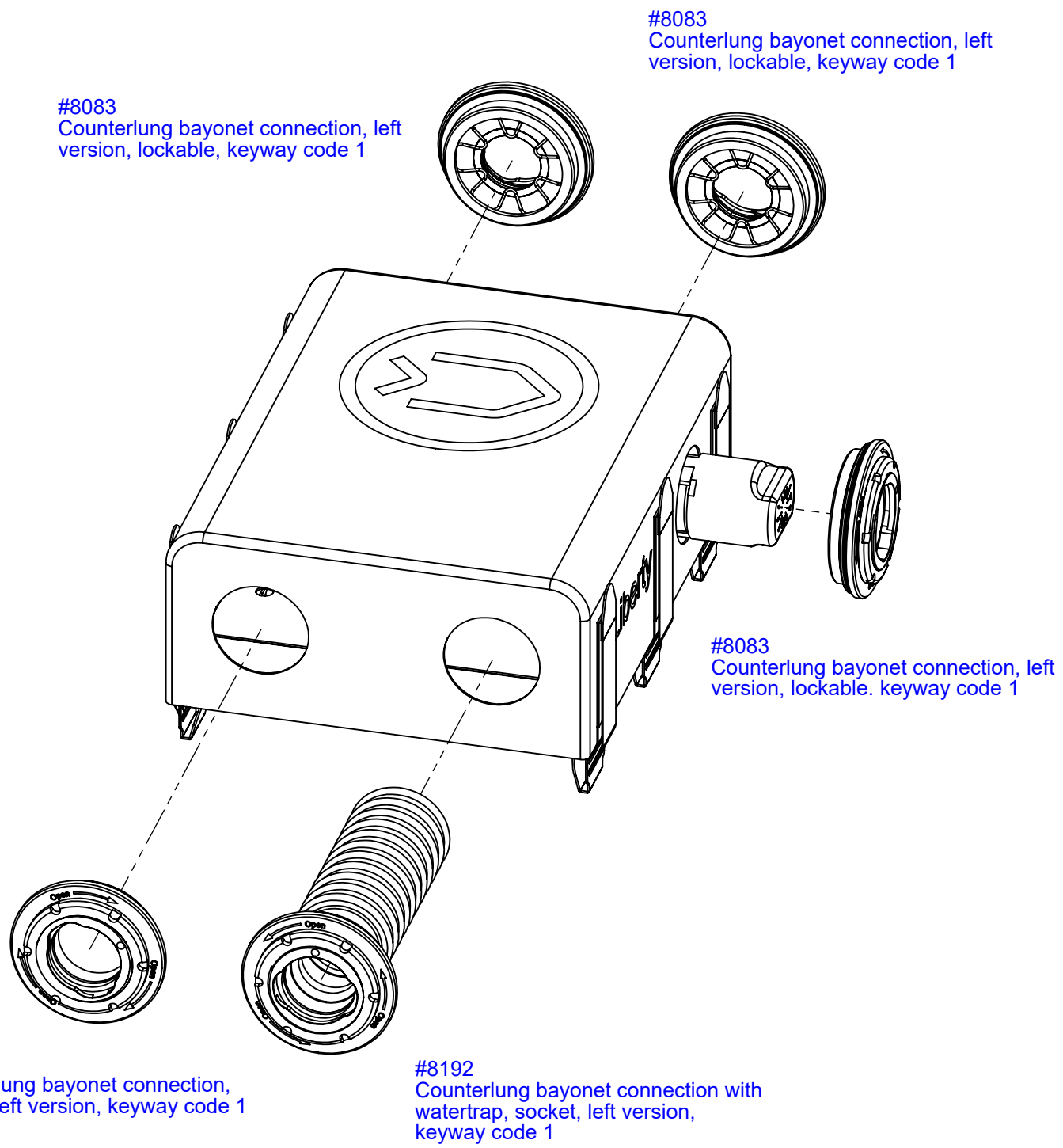


#8006
Counterlung bayonet connection,
socket, left version, keyway code 1

#8006
Counterlung bayonet connection,
socket, left version, keyway code 1

#8192
Counterlung bayonet connection with
watertrap, socket, left version,
keyway code 1

#7095 Sidemount conterlung, complete



#8083
Counterlung bayonet connection, left
version, lockable, keyway code 1

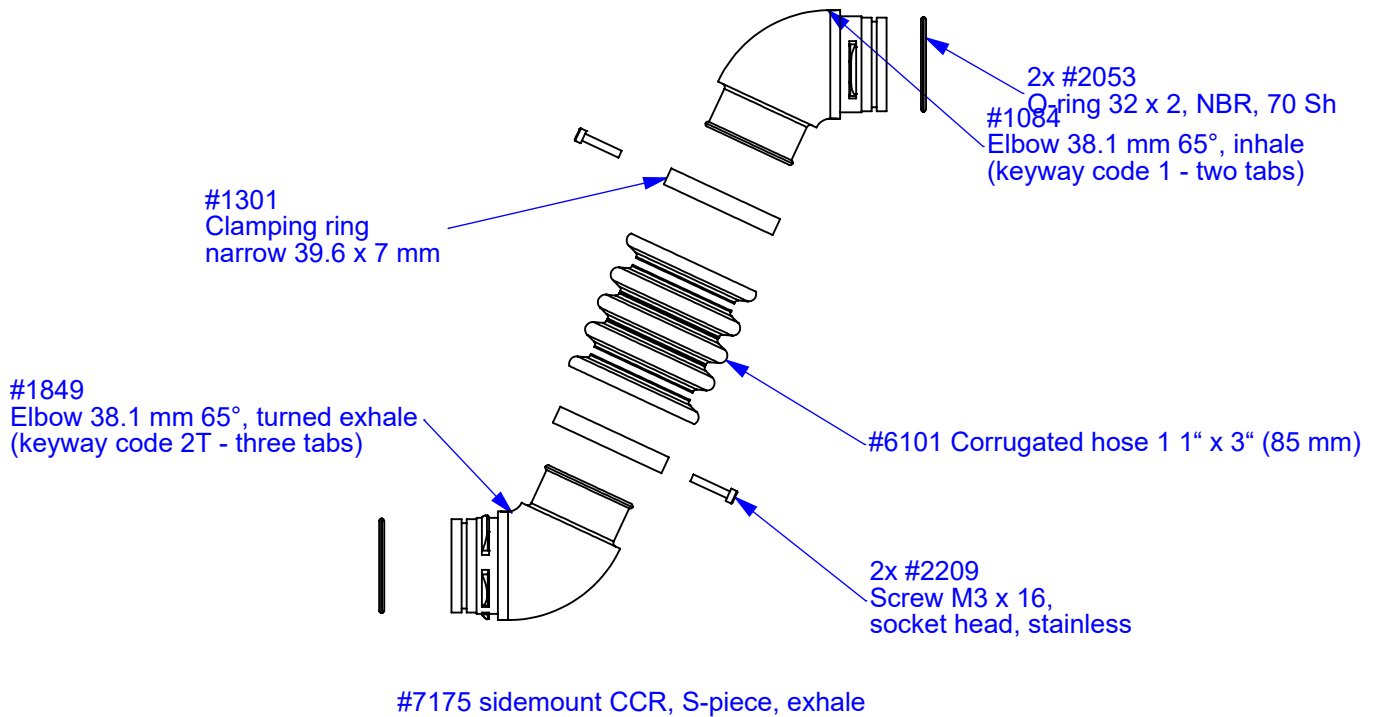
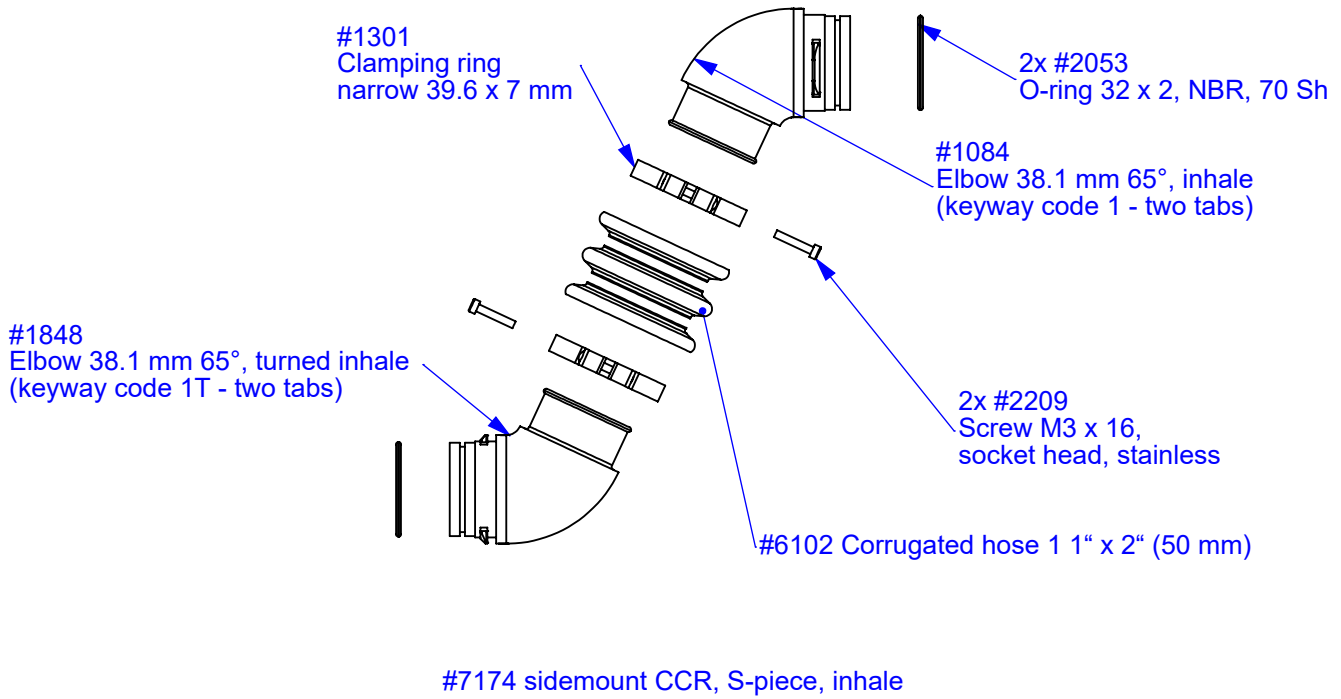
#8083
Counterlung bayonet connection, left
version, lockable, keyway code 1

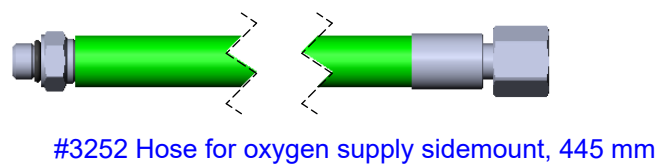
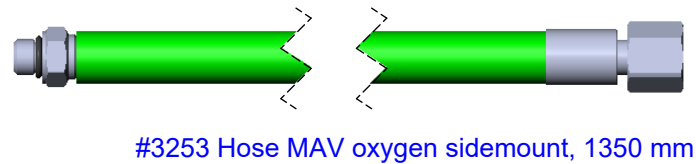
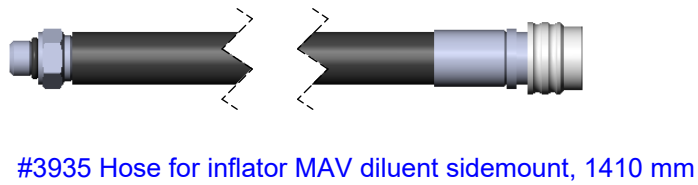
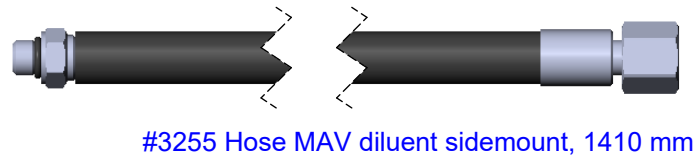
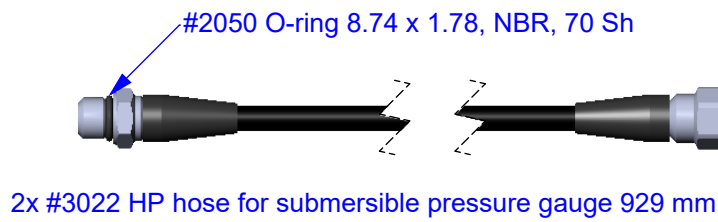
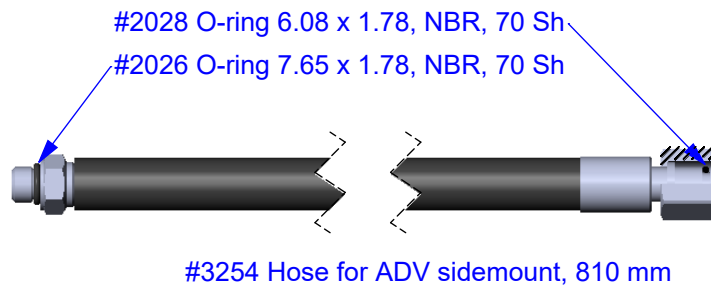
#8083
Counterlung bayonet connection, left
version, lockable. keyway code 1

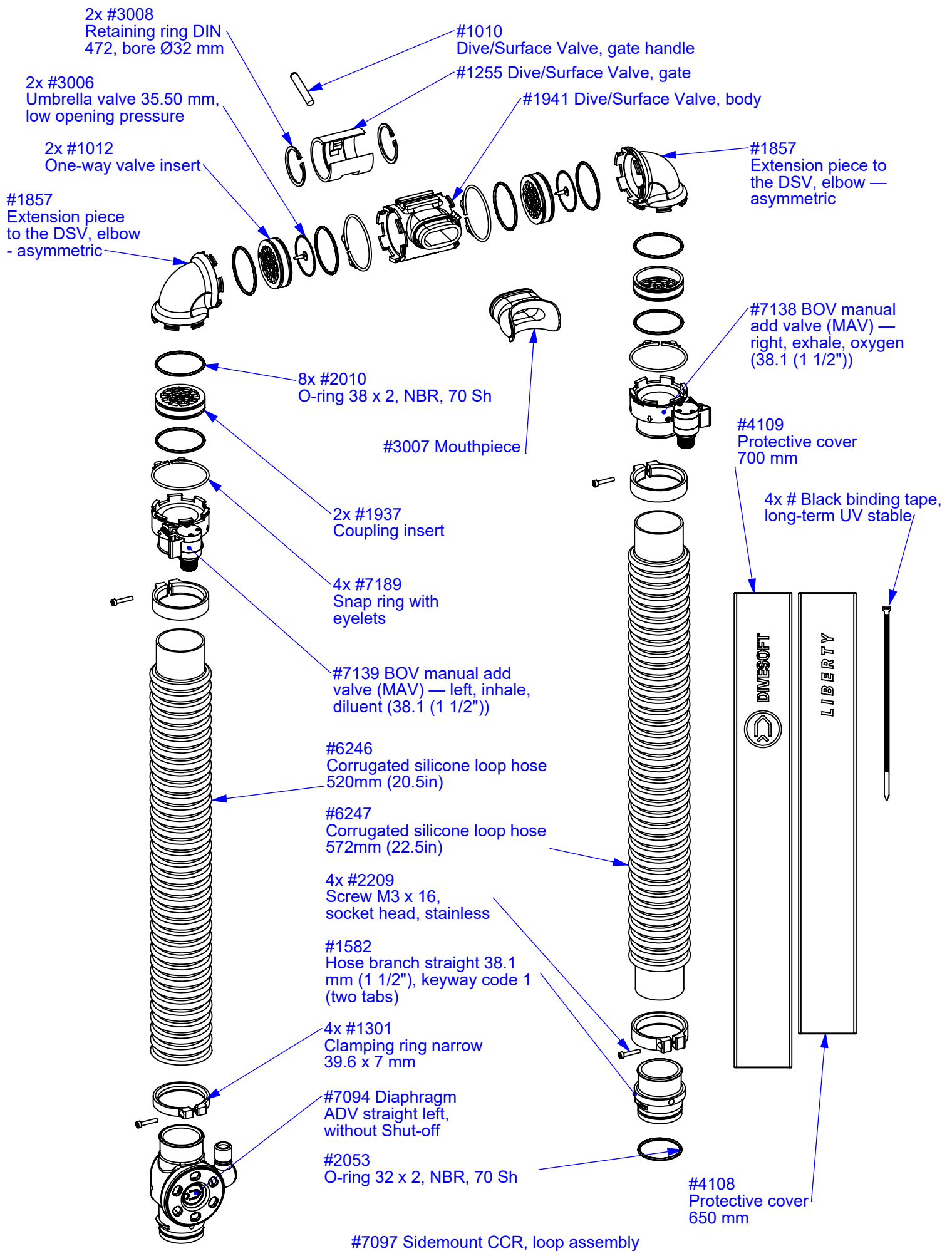
#8006
Counterlung bayonet connection,
socket, left version, keyway code 1

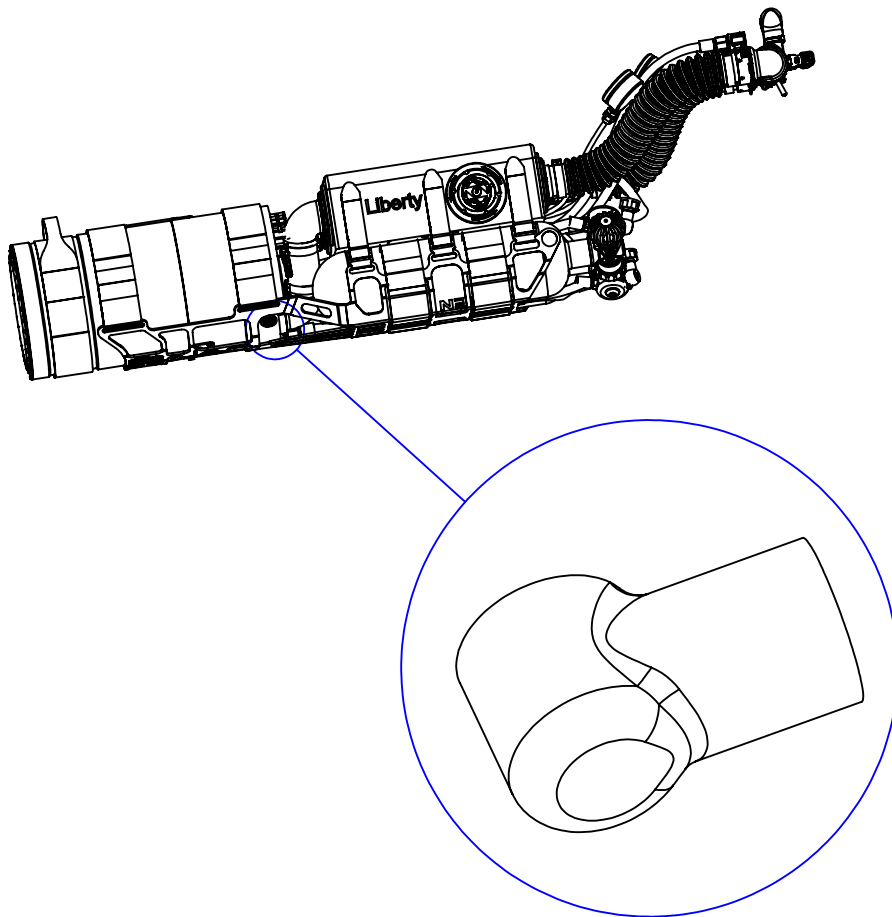
#8192
Counterlung bayonet connection with
watertrap, socket, left version,
keyway code 1

#7095 Sidemount conterlung, complete

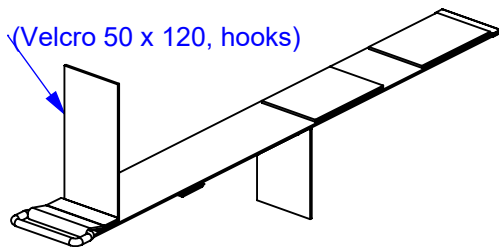
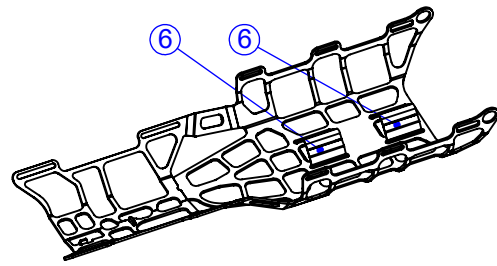
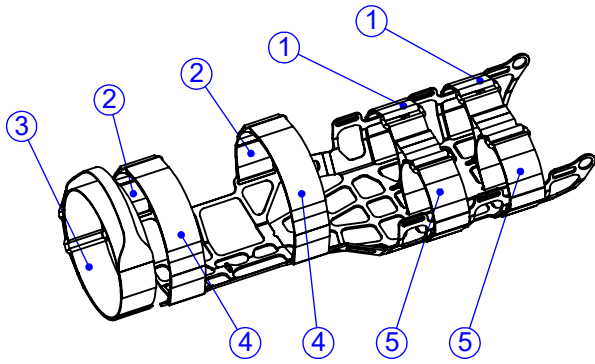




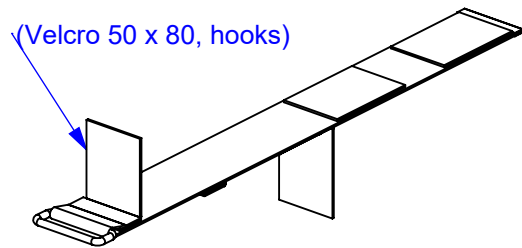




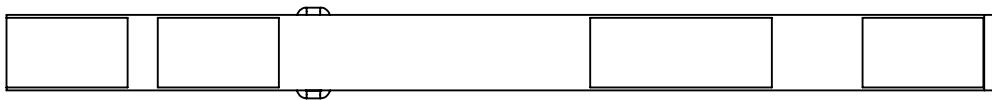
#1911 sidemount CCR, Banjo cover



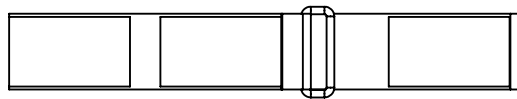
① #1915 Sidemount CCR, tank strap, left (2x)



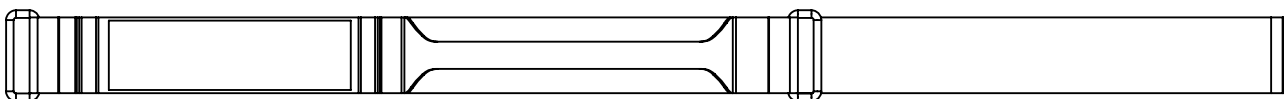
⑤ #1916 Sidemount CCR, tank strap, right (2x)



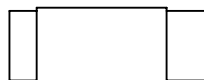
② #1917 Sidemount CCR, canister strap, left (longer) part (2x)



④ #1918 Sidemount CCR, canister strap, right (shorter) part (2x)



③ #1913 Sidemount CCR, rear handle



⑥ #1914 Sidemount CCR, hose fastening strap (2x)

8x #2210
Screw M4 x 10, flat
head Phillips, stainless

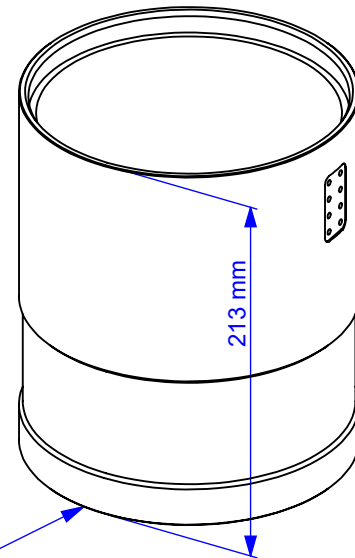
#1132 Canister, lock plate

#1875 Canister XT 2.5 kg, tube

#2047 O-ring 158 x 2, NBR, 70 Sh

#1882 Canister XT, flat bottom

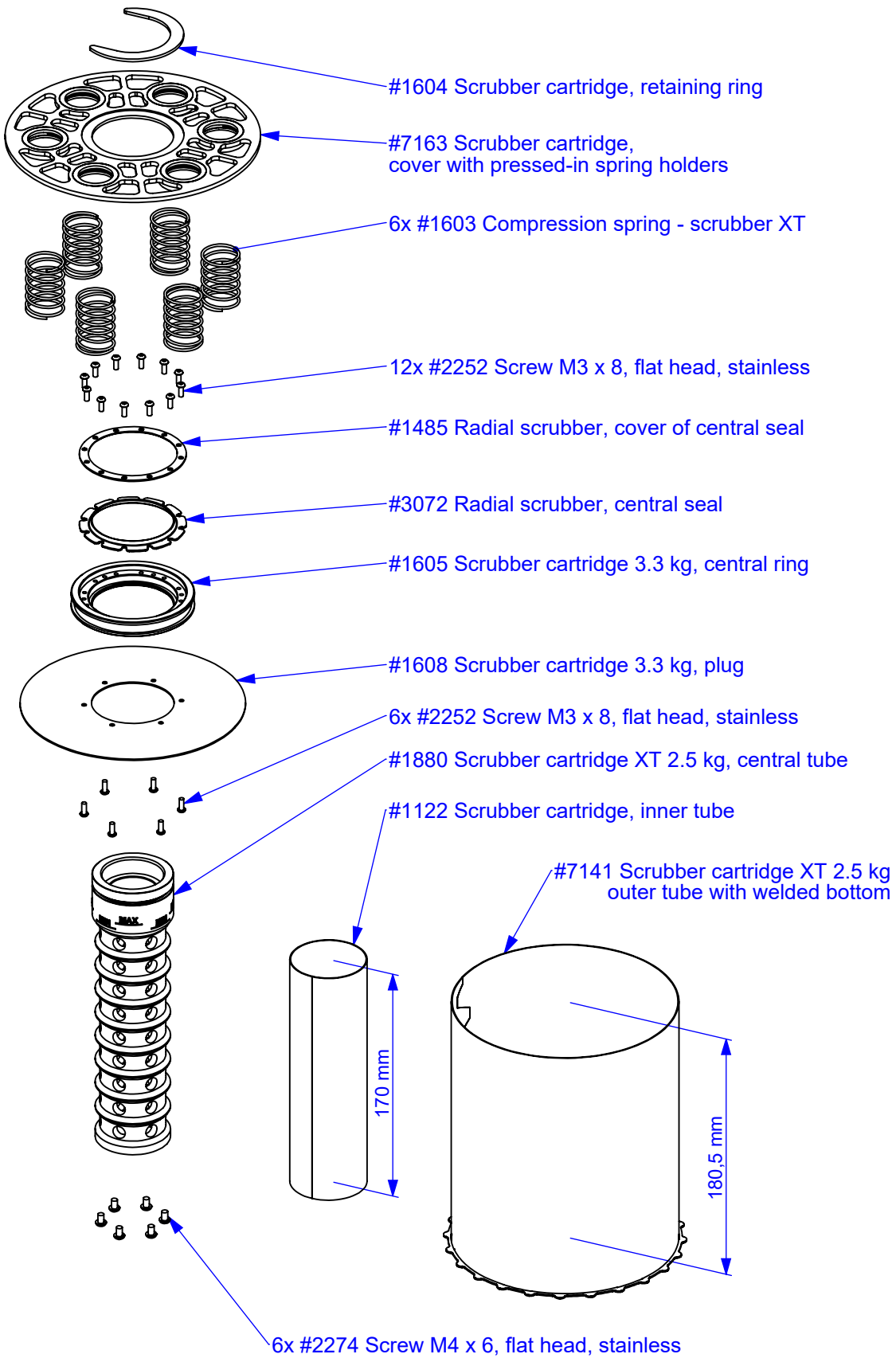
16x #2275 Screw M3 x 12, flat head, stainless



8x #2215
Screw M4 x 12, flat
head Phillips, stainless

#1131 Canister, hinge barb

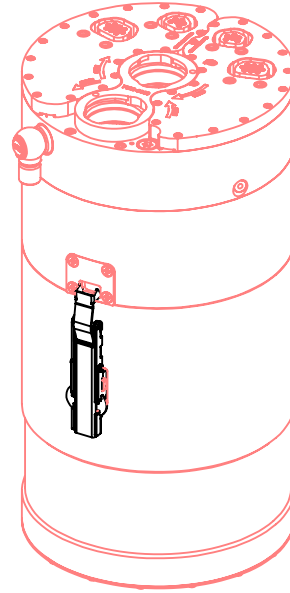
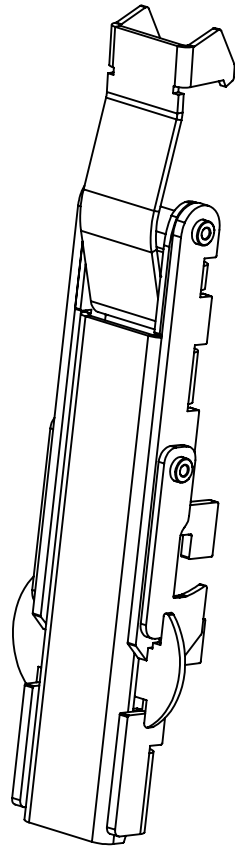
#7102 Canister XT 2.5 kg (complete)



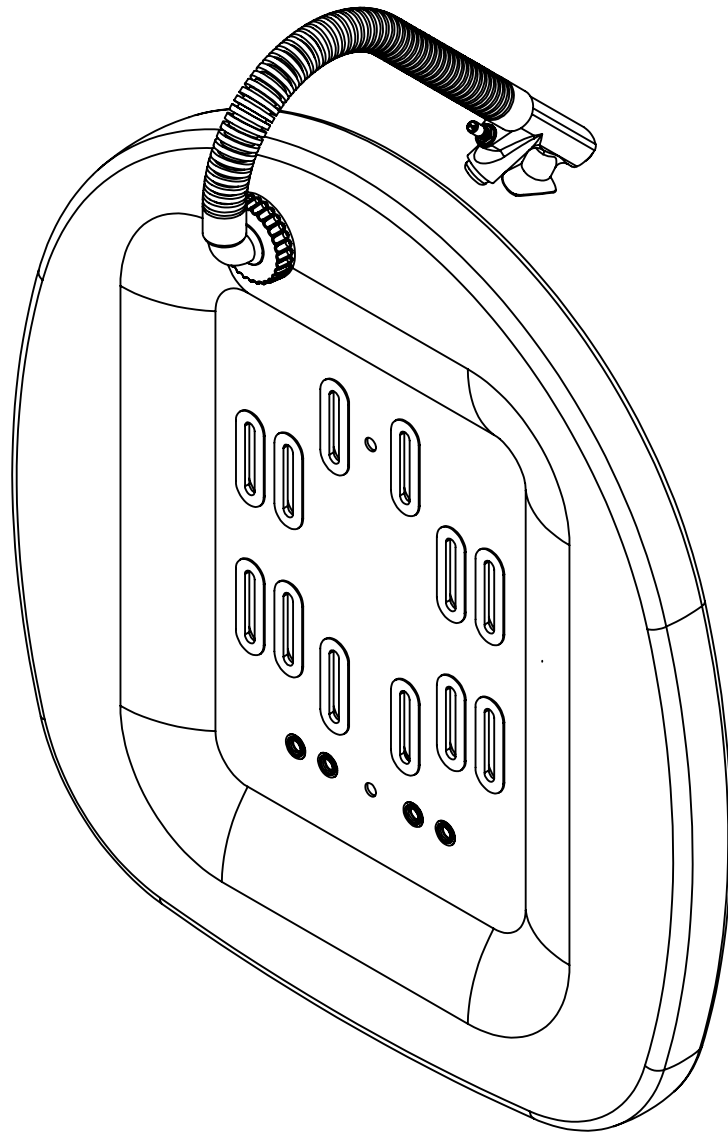
#7100 Scrubber cartridge XT 2.5 kg (complete)



CCR Liberty Light
Spare parts



#7213 Draw latch for AMTU



#3434 Light black - with straps

#3435 Light red - with straps

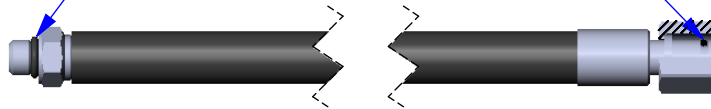
#2050 O-ring 8.74 x 1.78, NBR, 70 Sh



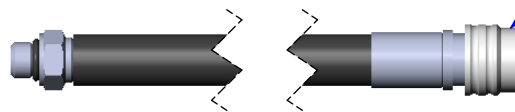
#3022 HP hose for submersible pressure gauge 929 mm

#2028 O-ring 6.08 x 1.78, NBR, 70 Sh

#2026 O-ring 7.65 x 1.78, NBR, 70 Sh

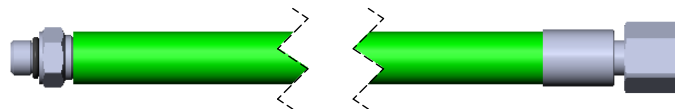


#3170 BOV hose 1100 mm

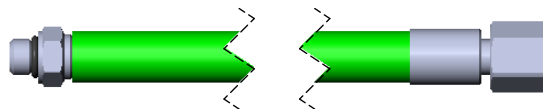


Standard connector
(can't be connected to oxygen
manual addition valve)

#3021 Hose for inflator 878 mm



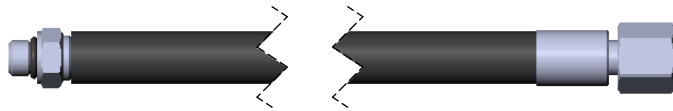
#3272 BOV hose oxygen 1100 mm



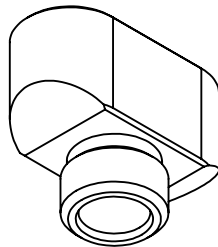
#3019 Hose for oxygen supply 436 mm



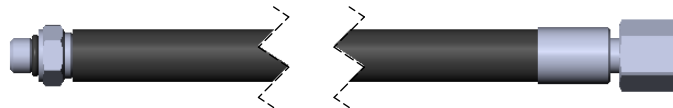
#3863 BOV hose 770 mm



#3862 ADV hose 320 mm

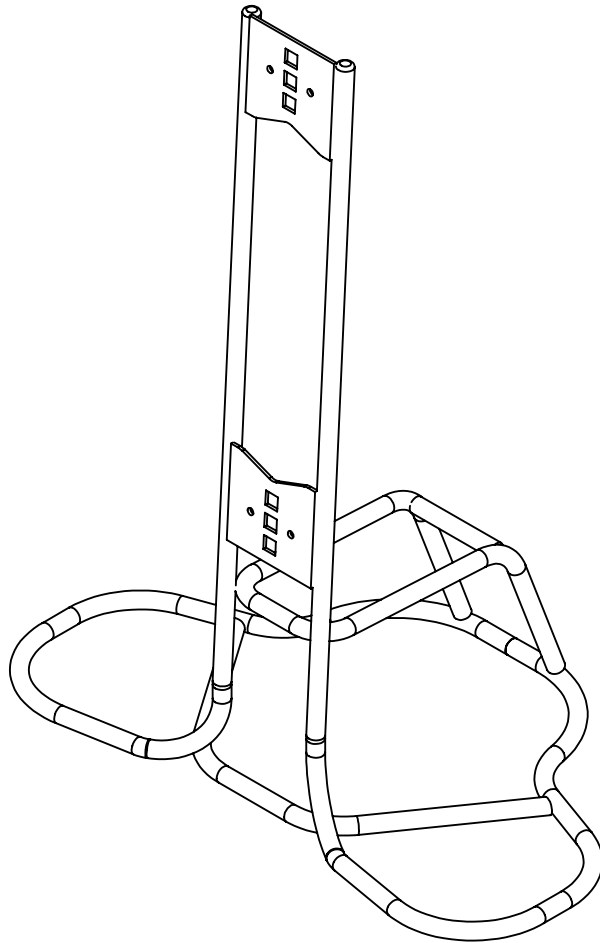


#6009 Hose splitter 9/16-18 to 2x 3/8-24



#3861 1st stage hose 210 mm

#7291 Liberty Light welded stand



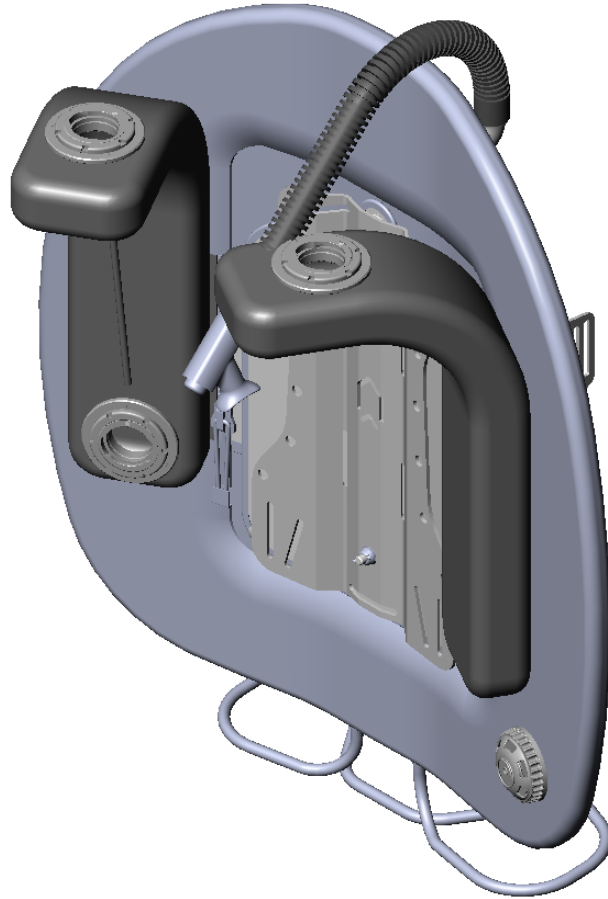
#7288 Liberty Light welded stand

2x #2320 Carriage bolt M8 x 35, stainless steel

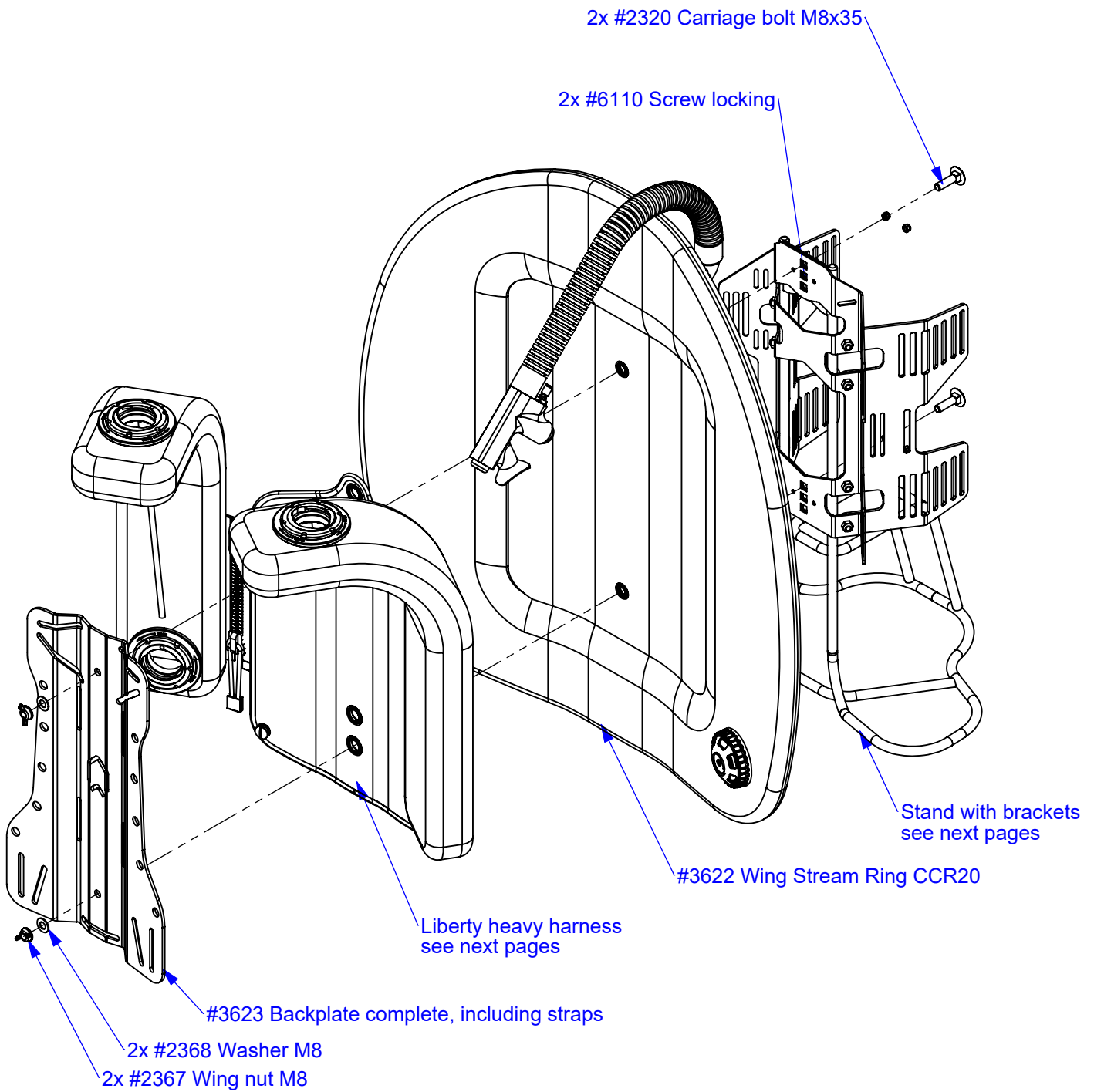
2x #2367 Wing nut M8, stainless steel

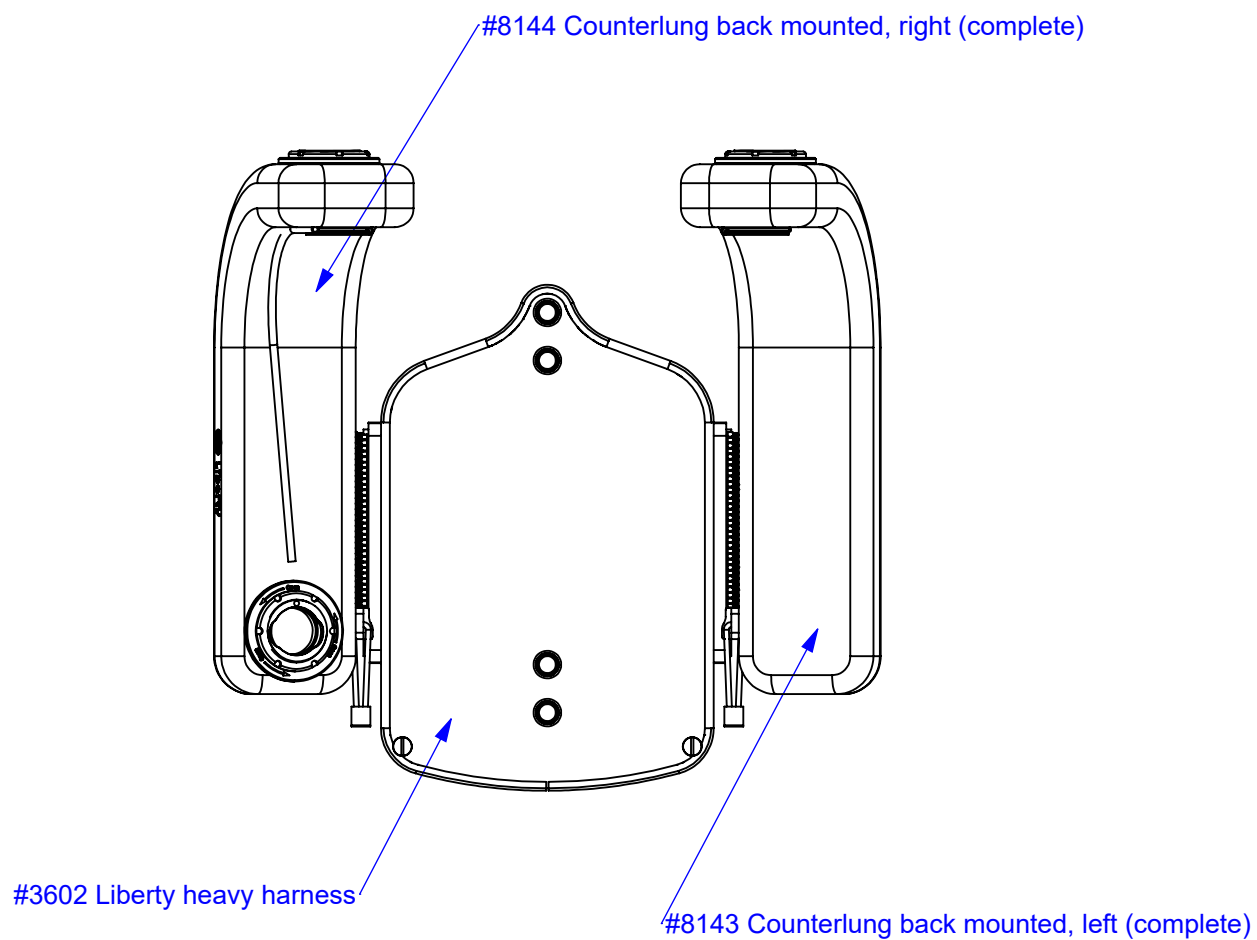
2x #2368 Washer M8, stainless steel

2x #6110 Heavy stand, Bolt locker M8



CCR Liberty Heavy Spare parts





4x #2276 Screw M4 x 10, flat head, stainless

8x #2294 Button head screw M6 x 12, T30, stainless

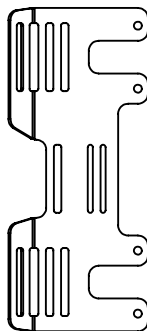
8x #2303 Nut M6, DIN 934, ČSN 02 1401

#6080 Heavy, base

Cylinder bracket

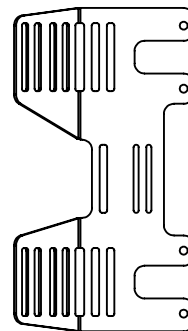
4x #2311 Self-locking nut M4, DIN 982

#7221 Liberty Heavy stand



#6083 Cylinder bracket, short left

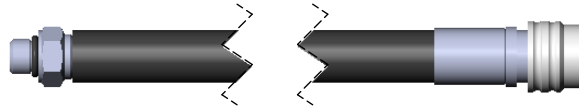
#6084 Cylinder bracket, short right



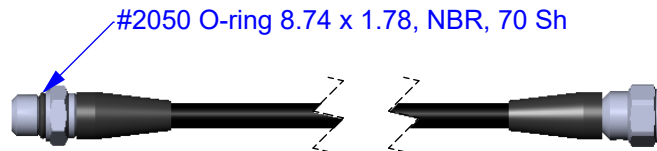
#6081 Cylinder bracket, long left

#6082 Cylinder bracket, long right

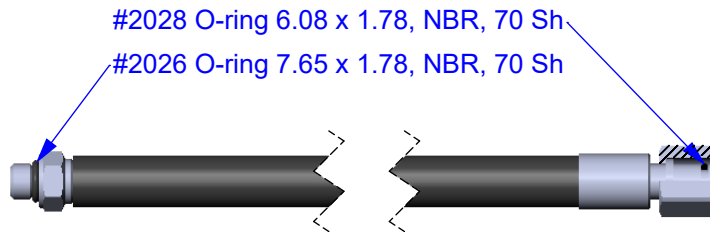
Hoses 2 x 3 L



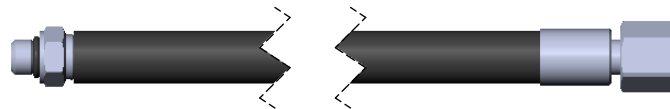
#3020 Hose for manual diluent bypass 960 mm



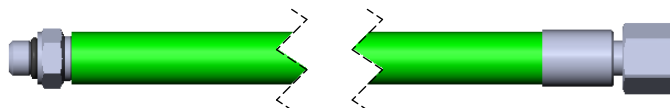
#3022 HP hose for manometer 929 mm



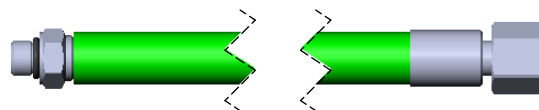
#3170 BOV hose 1100 mm - Black



#3655 Hose for ADV 670 mm



#3272 BOV hose 1100 mm - Green

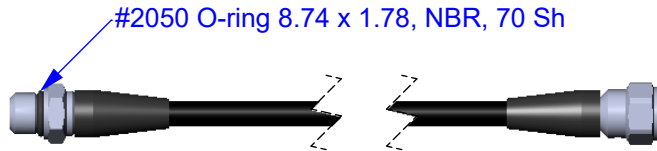


#3651 Hose for Solenoid 460 mm

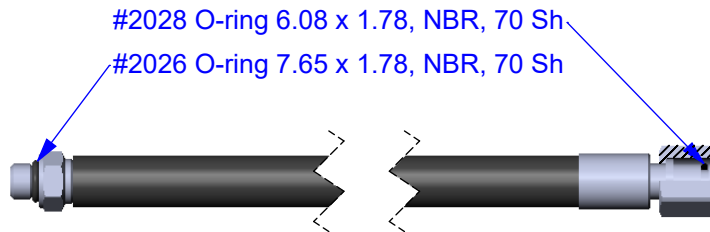
Hoses 2 x 7 L



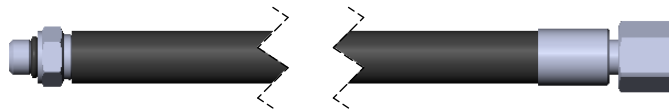
#3653 Hose for Inflator 665 mm



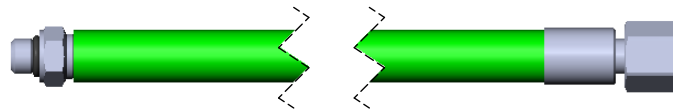
#3022 HP hose for manometer 929 mm



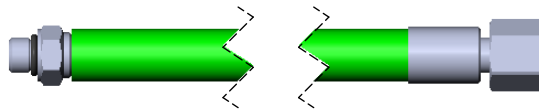
#3654 Hose for DIL MAV 730 mm



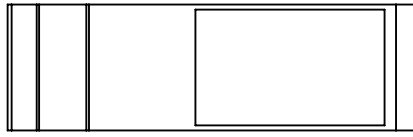
#3652 Hose for ADV 350 mm



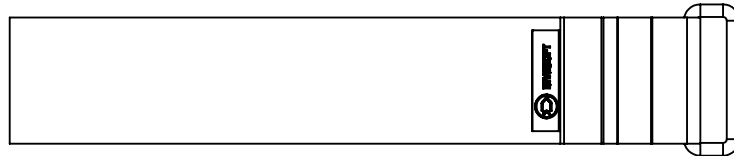
#3650 Hose for O2 MAV 1280 mm



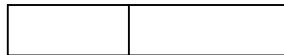
#3649 Hose for Solenoid 560 mm



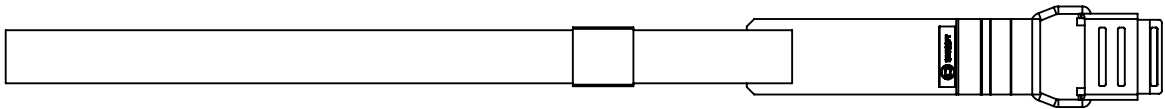
#3605 Liberty heavy canister strap left side



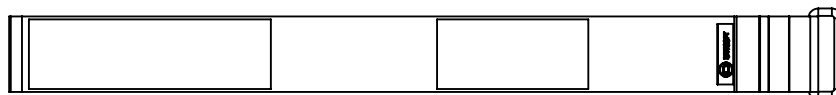
#3606 Liberty heavy canister strap right side



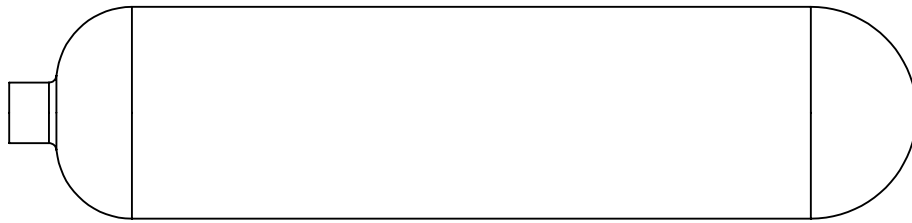
#3608 Liberty heavy hose strap



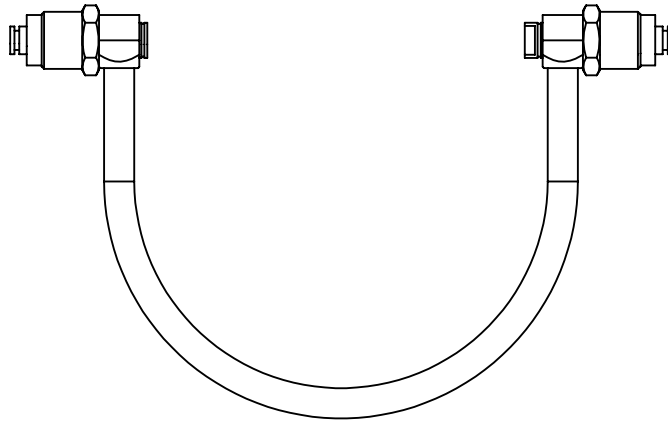
#3618 Liberty heavy cylinder strap



#3607 Liberty heavy cylinder strap extra



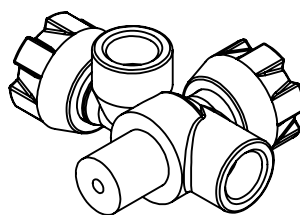
#6111 ECS Steel Cylinder 7 l DIN 144, 230 bar 140 mm diameter, Valve Thread: M25x2



#3657 Cylinder manifold 460 mm

#3621 Cylinder manifold 510 mm

#3646 Cylinder manifold 540 mm



#3619 LOLA Cylinder valve, 200BAR, M25 - right

#3620 LOLA Cylinder valve, 200BAR, M25 - left

#3644 Valve T-SV 200 BD 3/4" NPSM Air - left

#3645 Valve T-SV 200 BD 3/4" NPSM Air - right