

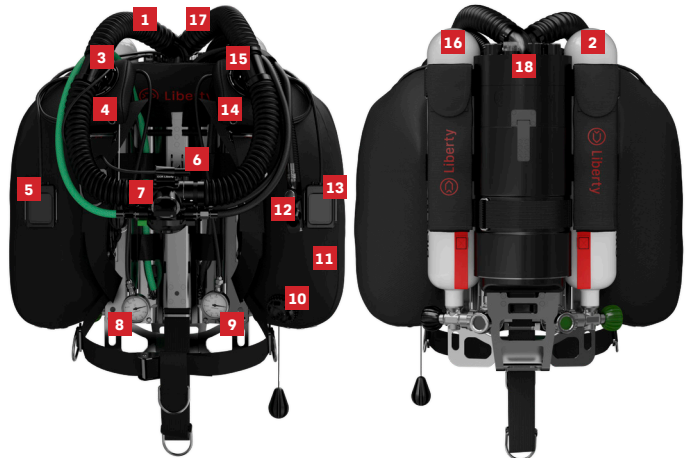
## CCR LIBERTY HEAD

What you have in front of you is called a "Rebreather Head". The Rebreather head is the housing unit containing the vital electronics and sensors of the life support system used in SCUBA diving.

Please note: the contents in this assembly are highly sensitive, valuable, and very fragile. Average cost of the rebreather head is ~ \$5000 USD. Please read further for detailed information.

### PLEASE HANDLE THIS DEVICE WITH CARE

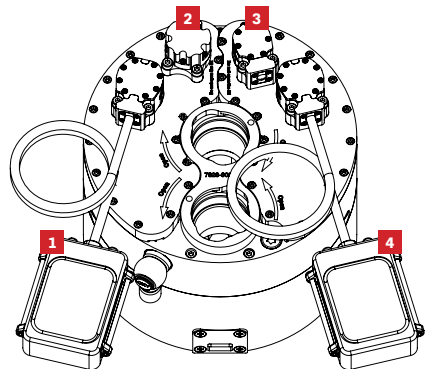
1. Exhalation elbow
2. Oxygen tank
3. Exhalation T-piece
4. Counterlung exhalation bag
5. Handset (HS) right
6. Head-up display
7. Dive/Surface valve (DSV)
8. Oxygen pressure gauge
9. Diluent pressure gauge
10. BCD overpressure valve
11. BCD wing
12. BCD inflator
13. Handset (HS) left
14. Counterlung inhalation bag
15. Inhalation T-piece
16. Diluent tank
17. Inhalation elbow
18. **Rebreather head**



**What is a REBREATHER:** A Rebreather is a sophisticated SCUBA diving device which recycles exhaled gas. This significantly extends the time the diver can spend underwater.

#### **What is a REBREATHER HEAD:**

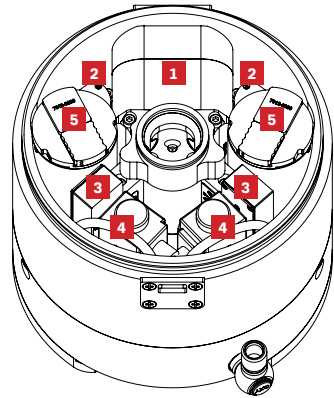
The Head is the housing unit of the rebreather that contains the vital life support electronics and sensitive mechanical sensors that ensure proper gas management, control and function of the SCUBA unit underwater.



1. Handset
2. Buddy display
3. HUD
4. Handset

### Rebreather head content:

1. Oxygen cell block  
– may contain 4 Oxygen sensors
2. 2 blocks of pressure sensors
3. 2 Helium sensors
4. 2 Solenoids – these devices supply diver's oxygen
5. 2 Disconnect Lithium Batteries



### Battery information:

Type: Li-Ion / TSA standards

Voltage: 3.6V

Capacity: 6.6Ah, 23.80 Wh

**This device does not contain any hazardous substances or pressurized elements.**

**THIS DEVICE IS SAFE TO FLY**

This device is designed and manufactured in Czech Republic.

Divesoft s.r.o., Hálkova 2495, 413 01 Roudnice nad Labem, Czech Republic

[www.divesoft.com](http://www.divesoft.com), [info@divesoft.com](mailto:info@divesoft.com)

EU: +420 416 857 057, US: +1 813 389 7911

